

SMART SUN

FOSHAN SMARTSUN AUTO LIGHTING TECHNOLOGY CO., LIMITED

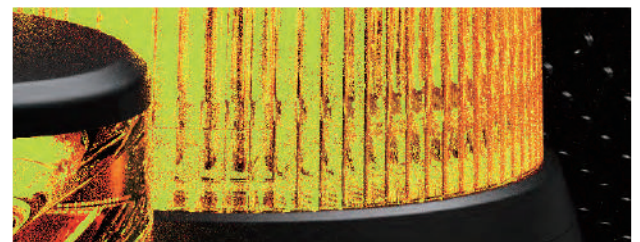
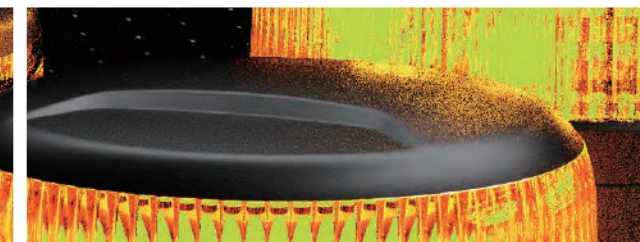
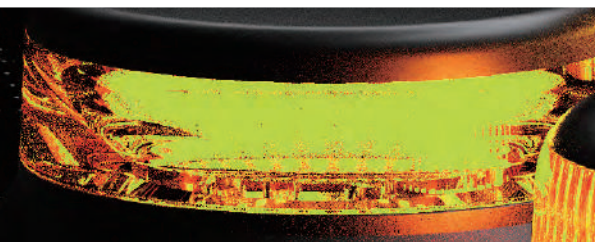
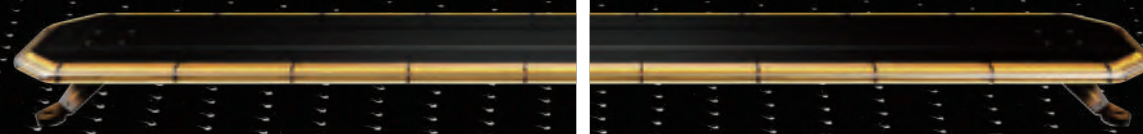
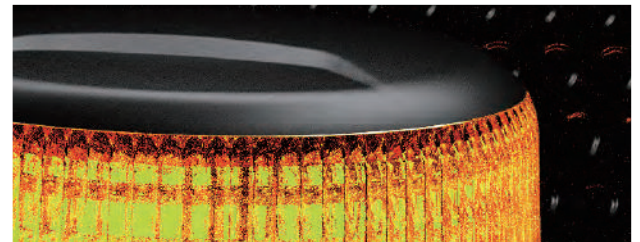
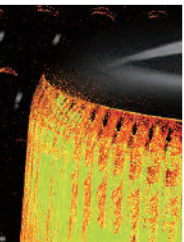
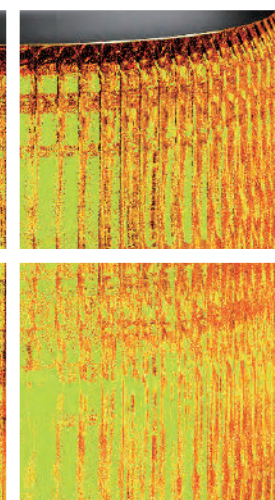
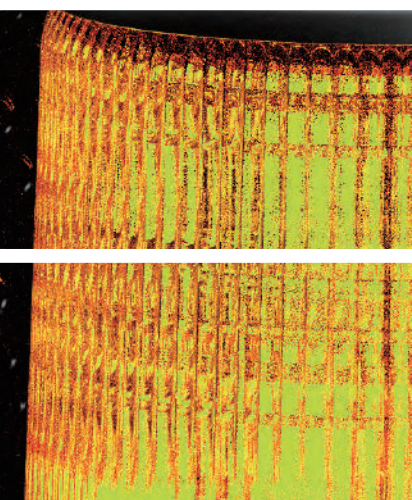
Rm. 209-210, Block E, No.15 Xile Avenue, Leping Town, Sanshui Dist., Foshan, China

+86-0757-87263706 +86-13302296679

info@smartsunlamp.com

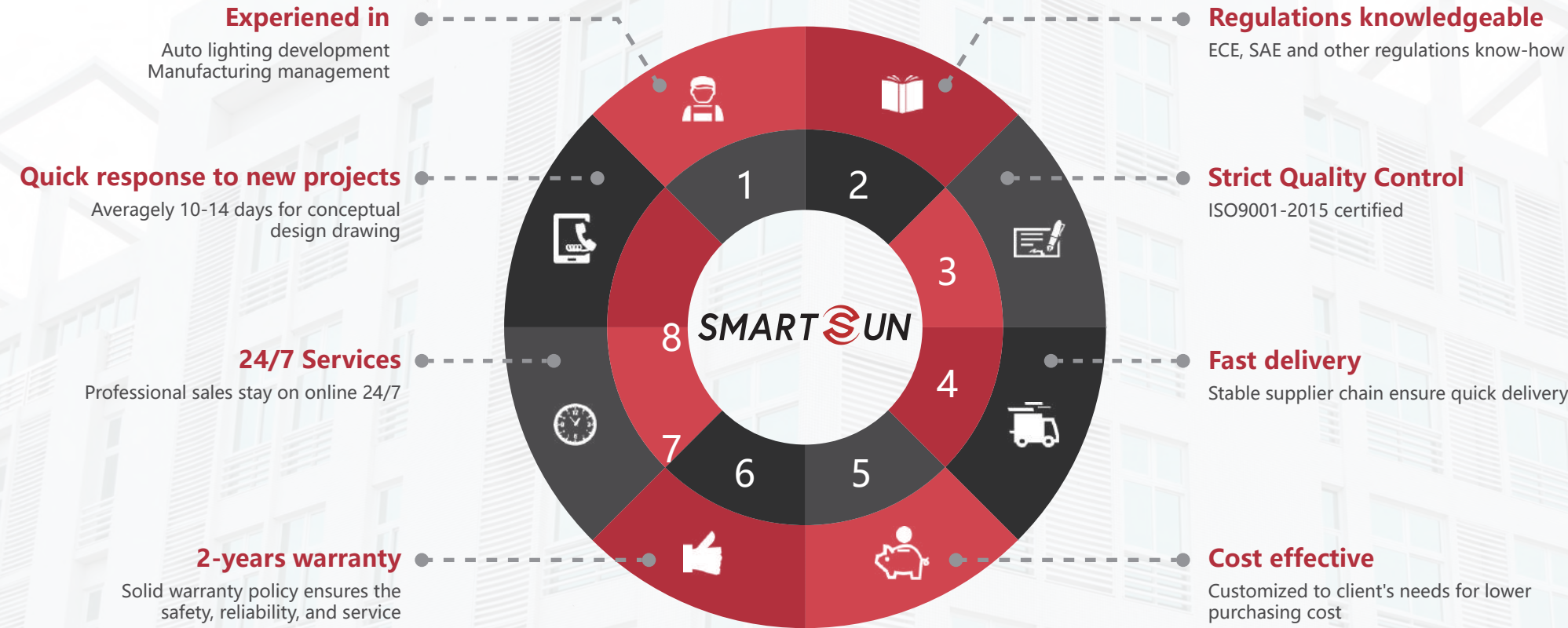
www.smartsunlamp.com

WARNING TEXT

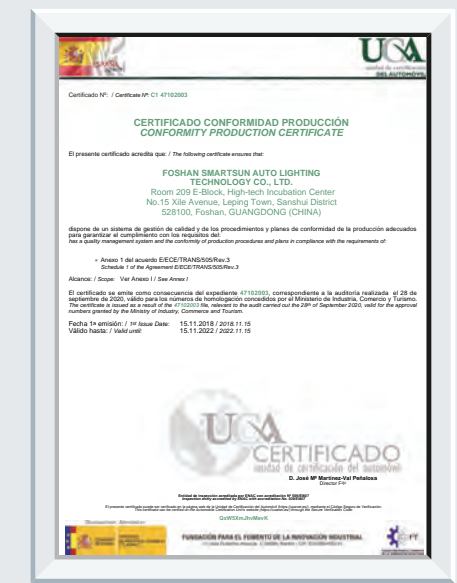


CATALOGUE 2022

WHO IS SMARTSUN?



ISO9001 Certificate



Manufacturer Register Resolution



HB56 Driving Lamp Patent



AA95 Arc Safety Lamp Patent



TB93 LED Beacon Patent



HB56 Snow-plow Head Lamp Patent



TB51 Full-size Lightbar Patent



Modular Warning Lamp Patent



Dust-proof potting unit



Thermal shock tester



Constant temperature and humidity tester



Assembly Workshop



Plastic Injection Workshop



Salt spray tester



Integrating sphere



Plastic Injection Workshop



04

TABLE OF CONTENTS

FORKLIFT SAFETY LAMP

 AC27 Series P08	 AA95 Series P10	 AA96 Series P14	 AB54L Series P16	 AB54 Series P18
 AB54T Series P20	 AC84 Series P22			

EMERGENCY LAMP

 XA61 Series P24	 XA62 Series P26	 TA81 Series P28	 TA82 Series P30	 TA93 Series P34	 TB25 Series P36	 TC26 Series P38
 TD12-1 Series P40	 TD12-2 Series P42	 TD12-3 Series P44	 TD17 Series P46	 TA71 Series P48	 TA92 Series P50	 TA94 Series P54
 TD31 Series P56	 TD35 Series P58	 TA91 Series P60		 TB51 Series P65		
 TE18 Series P72		 TC83 Series P78	 W801 Series P80			
 W90 Series P85						



SIGNAL LAMP

 SB21 Series P94	 SB33 Series P98	 SD15 Series P100	 SD15-KIT P102	 SB52 Series P104	 SB53 Series P104
--	--	---	--	---	---

LED HEADLAMP & WORK LAMP

 HB56 Series P106				
---	--	--	--	--

SPARE PARTS

 PA97 P108	 TD11 P108	 TC72 P108	 PC31 P108	 P906 P108
 PB32 P108	 PB34 P108	 PB35 P108	 PB37 P108	 PB91 P108
 PB33-66 P108	 PB43-88 P108	 TC83-TEXT DISPLAY LIGHTBAR P108	 P902 P108	

FORKLIFT SAFETY LAMP | AC27 Series



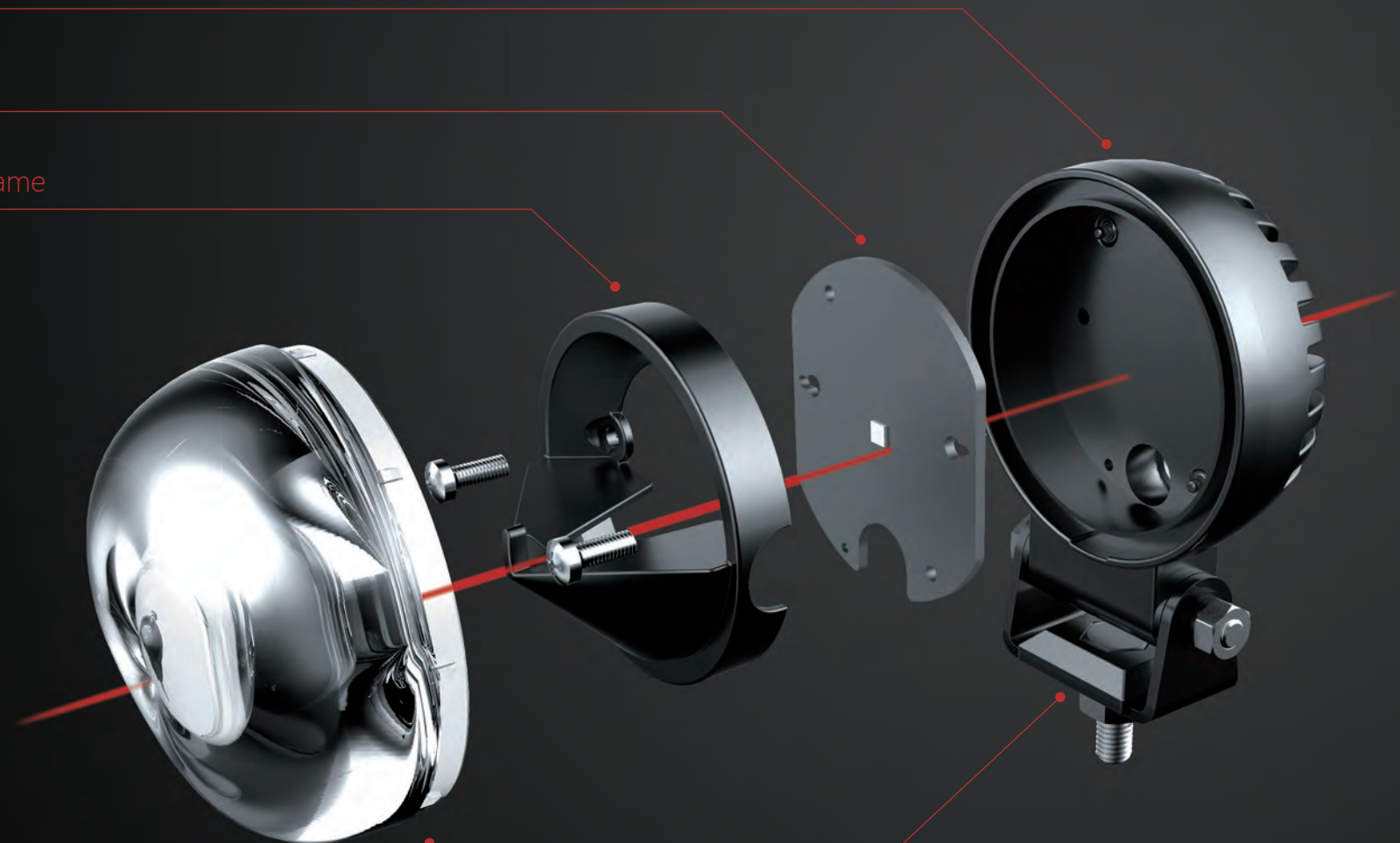
Aluminium die-casting housing

PCBA

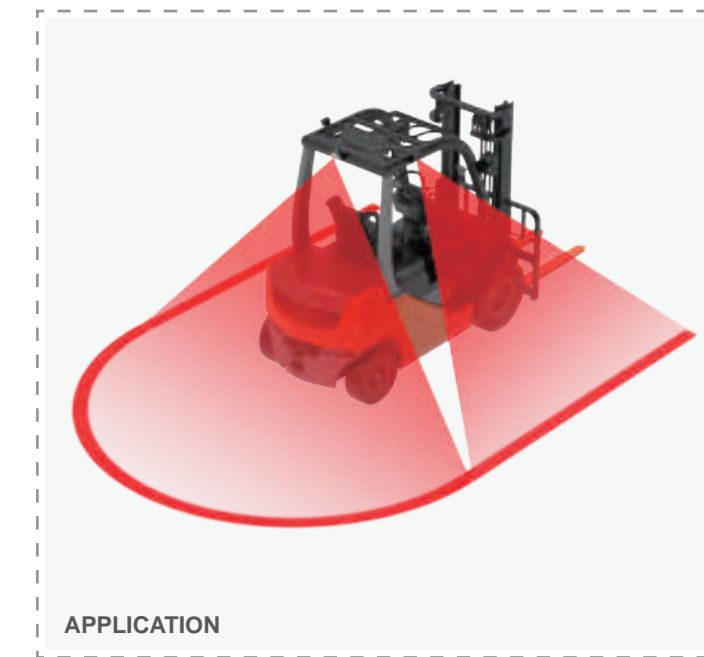
Plastic frame

Ultra-thick lens

Swivel bracket



- PATENT NO. : 201920548682.8
- IP67
- 10-80V
- ECE R10 / CE
- RED / GREEN / BLUE
- 40°C ~ + 65°C



APPLICATION

TECHNICAL SPECS OVERLEAF

FEATURES

- 10-80V, suitable for various types of forklift
- Durable PC lens minimizes environmental damage
- Aluminum housing allows effective heat dissipation and greatly extends lifespan
- IP67 rated, fully encapsulated for moisture, vibration and corrosion resistance
- With smooth & bright arc edge
- Will not cause OBD display problem on electrical vehicles
- Can work under freezer environment
- 2-year warranty

BEAM PATTERN



Red

Green

Blue





FORKLIFT SAFETY LAMP | AA95 Series

AC2710-Arc

AC2720-Arc

AC2730-Arc

Picture



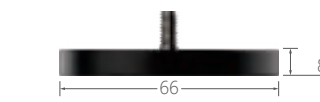
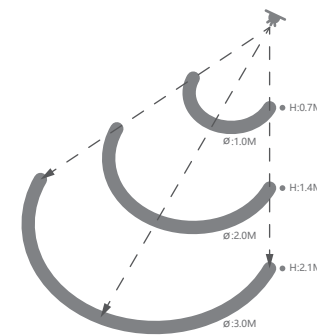
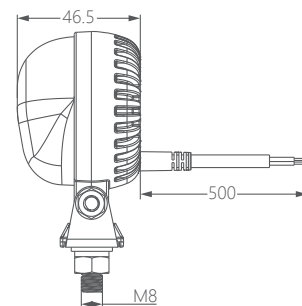
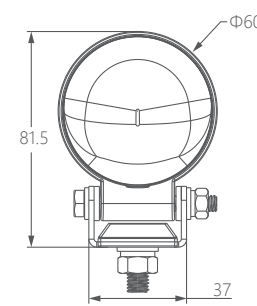
Description	Red Arc Safety Lamp	Green Arc Safety Lamp	Blue Arc Safety Lamp
Part No.	FA01011	FA03007	FA02009
Input Voltage	10~80V DC	10~80V DC	10~80V DC
Current Draw	12V@0.56A, 24V@0.28A	12V@0.60A, 24V@0.30A	12V@0.58A, 24V@0.29A
LED Qty.	1 x 10watt LED	1 x 10watt LED	1 x 10watt LED
Approvals	ECE R10/CE	ECE R10/CE	ECE R10/CE
IP Rating	IP67	IP67	IP67
Operating Temp.	-40°C~ + 65°C	-40°C~ + 65°C	-40°C~ + 65°C
Lens Material	Polycarbonate	Polycarbonate	Polycarbonate
Housing Material	Aluminium	Aluminium	Aluminium
Connection	500mm Cable	500mm Cable	500mm Cable
Warranty	2 years	2 years	2 years
Fixture Type	Single bolt fixing	Single bolt fixing	Single bolt fixing
Weight	0.21kg	0.21kg	0.21kg
Package Size	Inner box:60X60X83mm/Carton:315X315x186mm	Inner box:60X60X83mm/Carton:315X315x186mm	Inner box:60X60X83mm/Carton:315X315x186mm
PCS/CTN	50	50	50

Product Size

Photometric Specifications

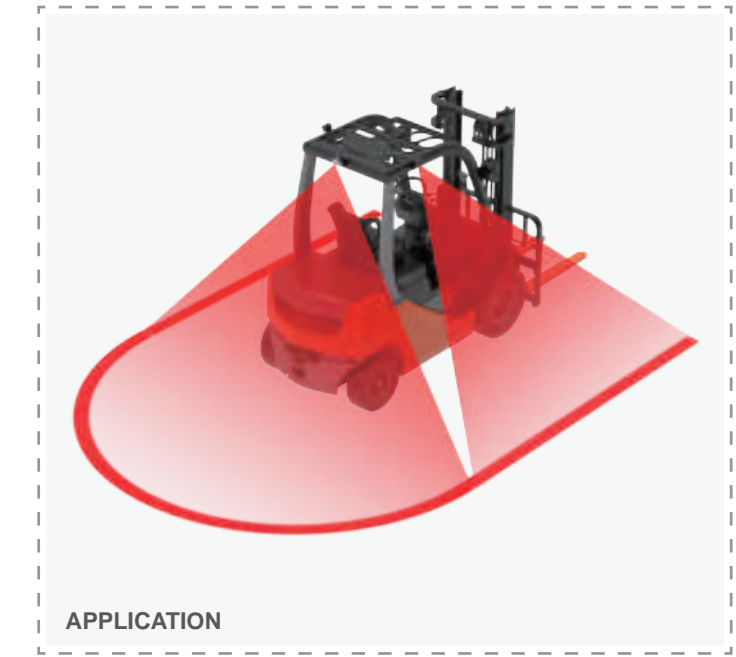
Optional Accessory

Product Size



Magnet base with silicone cover

- PATENT NO. : 201920548682.8
- IP67
- 10-80V
- ECE R10 / CE
- RED / GREEN / BLUE
- 40°C~ + 65°C



APPLICATION

TECHNICAL SPECS OVERLEAF

FEATURES

- 10~80V, suitable for various types of forklift
- Durable PC lens minimizes environmental damage
- Aluminum housing allows effective heat dissipation and greatly extends lifespan
- IP67 rated, fully encapsulated for moisture, vibration and corrosion resistance
- Projects smooth & bright arc edge
- Combine with 2pcs AA96 lines to a perfect U shape warning zone
- Will not cause OBD display problems on the vehicles
- Can work under freezer environment
- 2-year warranty

BEAM PATTERN



Red



Green



Blue



AA9510-Arc



AA9520-Arc



AA9530-Arc



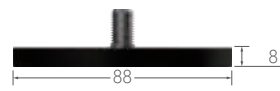
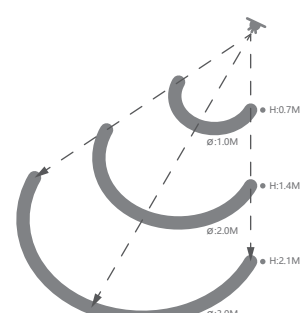
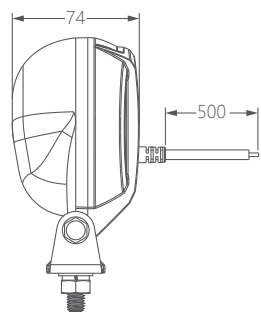
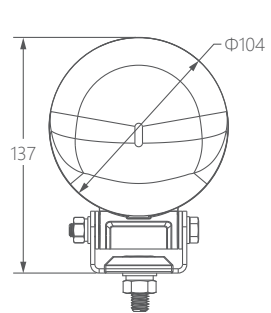
Picture

Description	Red Arc Safety Lamp	Green Arc Safety Lamp	Blue Arc Safety Lamp
Part No.	FA01002	FA03002	FA02013
Input Voltage	10~80V DC	10~80V DC	10~80V DC
Current Draw	12V@1.1A, 24V@0.5A	12V@0.86A, 24V@0.43A	12V@0.86A, 24V@0.43A
LED Qty.	1 x 10watt LED	1 x 10watt LED	1 x 10watt LED
Approvals	ECE R10/CE	ECE R10/CE	ECE R10/CE
IP Rating	IP67	IP67	IP67
Operating Temp.	-40°C~ + 65°C	-40°C~ + 65°C	-40°C~ + 65°C
Lens Material	Polycarbonate	Polycarbonate	Polycarbonate
Housing Material	Aluminium	Aluminium	Aluminium
Connection	500mm Cable	500mm Cable	500mm Cable
Warranty	2 years	2 years	2 years
Fixture Type	Single bolt fixing	Single bolt fixing	Single bolt fixing
Weight	0.64 kg	0.64 kg	0.64 kg
Package Size	Inner box:115x100x170mm/Carton:360x315x360mm	Inner box:115x100x170mm/Carton:360x315x360mm	Inner box:115x100x170mm/Carton:360x315x360mm
PCS/CTN	18	18	18

Product Size

Photometric Specifications

Optional Accessory



Magnet base with silicone cover

AA9540-Arc



AA9541-Arc



AA9542-Arc



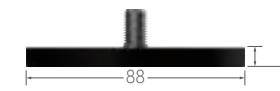
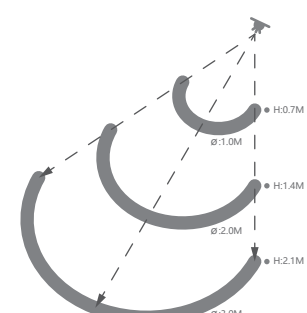
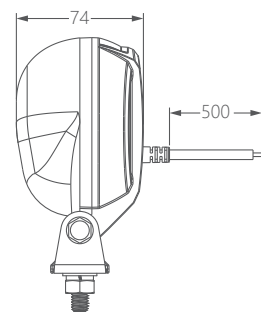
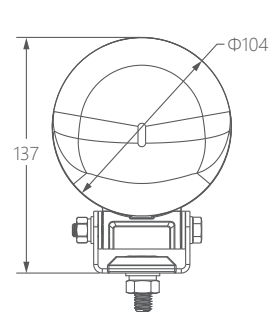
Picture

Description	Red+Blue Arc Safety Lamp	Red+Green Arc Safety Lamp	Blue+Green Arc Safety Lamp
Part No.	FA04001	FA05001	FA06001
Input Voltage	10~80V DC	10~80V DC	10~80V DC
Current Draw	12V@0.82A,24V@0.4A+12V@0.94A,24V@0.46A	12V@1.36A,24V@0.63A+12V@1.51A,24V@0.70A	12V@1.51A,24V@0.70A+12V@1.51A,24V@0.70A
LED Qty.	2 x 10watt LED	2 x 10watt LED	2 x 10watt LED
Approvals	ECE R10/CE	ECE R10/CE	ECE R10/CE
IP Rating	IP67	IP67	IP67
Operating Temp.	-40°C~ + 65°C	-40°C~ + 65°C	-40°C~ + 65°C
Lens Material	Polycarbonate	Polycarbonate	Polycarbonate
Housing Material	Aluminium	Aluminium	Aluminium
Connection	500mm Cable	500mm Cable	500mm Cable
Warranty	2 years	2 years	2 years
Fixture Type	Single bolt fixing	Single bolt fixing	Single bolt fixing
Weight	0.64 kg	0.64 kg	0.64 kg
Package Size	Inner box:115x100x170mm/Carton:360x315x360mm	Inner box:115x100x170mm/Carton:360x315x360mm	Inner box:115x100x170mm/Carton:360x315x360mm
PCS/CTN	18	18	18

Product Size

Photometric Specifications

Optional Accessory



Magnet base with silicone cover

FORKLIFT SAFETY LAMP | AA96 Series



Aluminium die-casting housing

PCBA

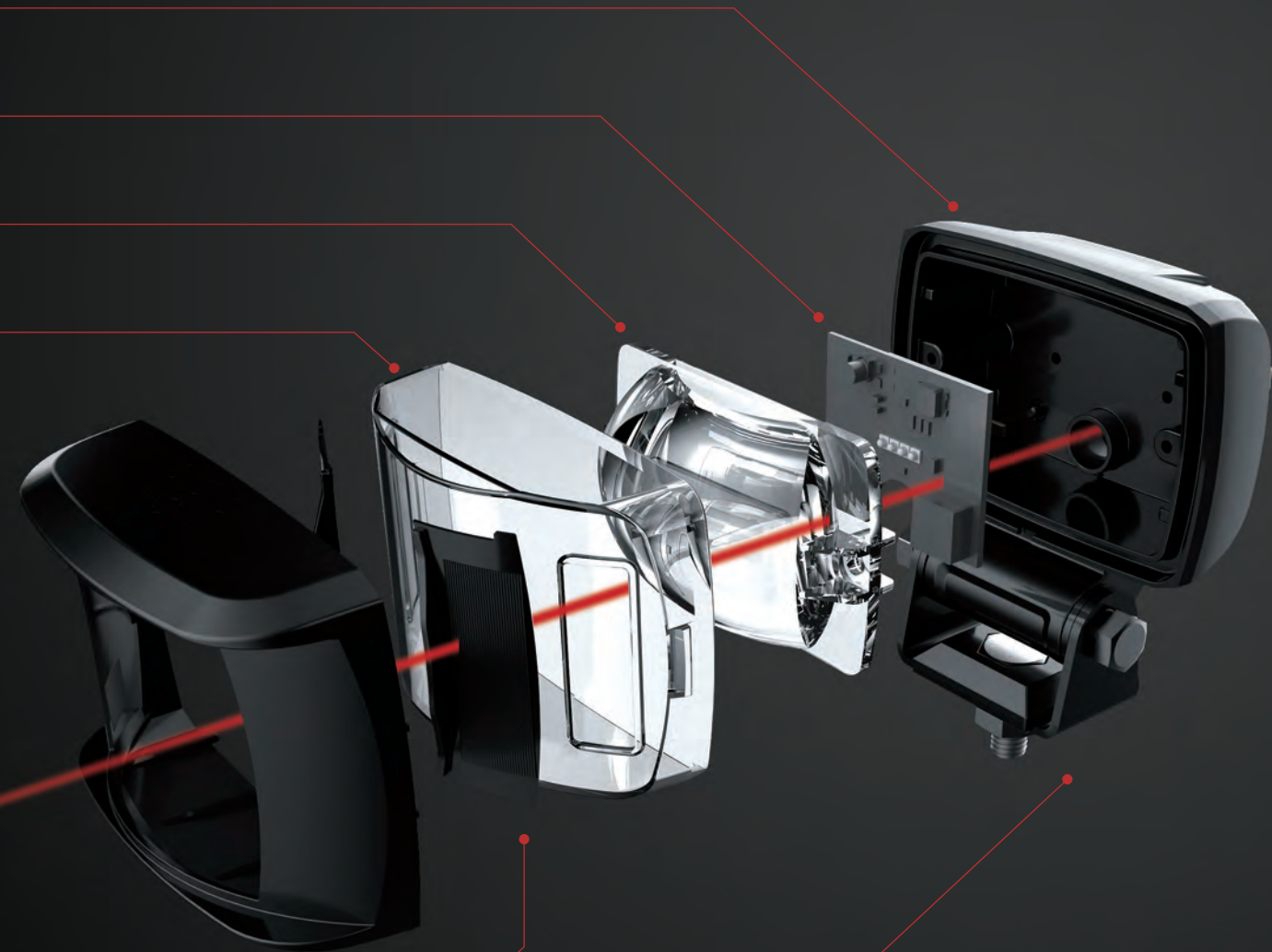
Ultra-thick lens

Cover

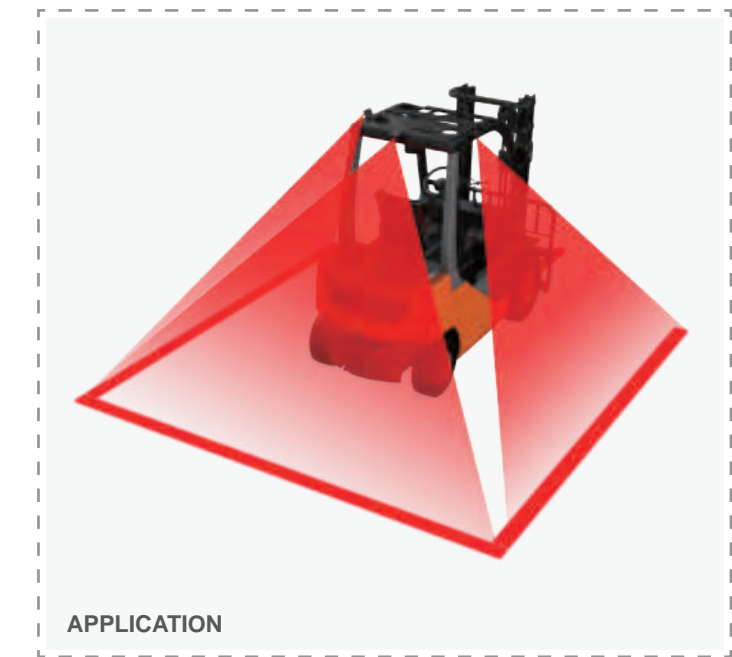
Front frame

Length adjuster

Swivel bracket



- IP67
- 10-80V
- ECE R10 / CE
- RED / GREEN / BLUE
- 40°C ~ + 65°C



TECHNICAL SPECS OVERLEAF

FEATURES

- 10-80V, suitable for various types of forklift
- Durable PC lens minimizes environmental damage
- Aluminum housing allows effective heat dissipation and greatly extends lifespan
- IP67 rated, fully encapsulated for moisture, vibration and corrosion resistance
- With smooth straight line edges
- The straight line's length is adjustable
- Using 3 pcs AA96 to form a square warning zone, or 2 pcs AA96 and 1 pc AA95 to form a perfect U shape warning zone
- Will not cause OBD display problem on electrical vehicles
- Can work under freezer environment
- 2-year warranty

BEAM PATTERN



Red

Green

Blue



AA9610-Line

AA9620-Line

AA9630-Line

Picture



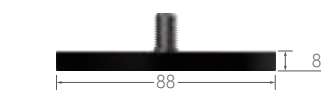
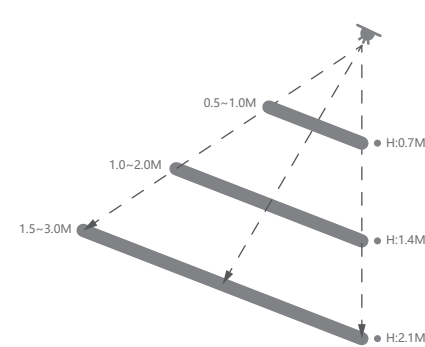
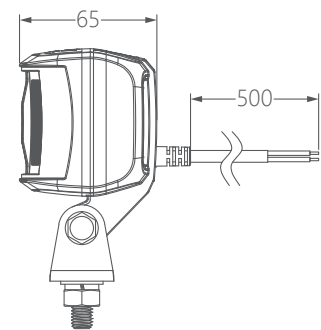
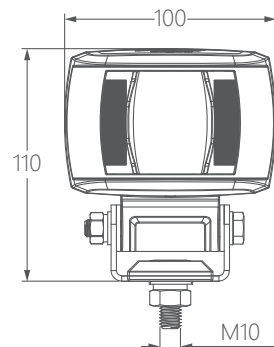
Description	Red Line Safety Lamp	Green Line Safety Lamp	Blue Line Safety Lamp
Part No.	FA01003	FA03003	FA02002
Input Voltage	10~80V DC	10~80V DC	10~80V DC
Current Draw	12V@0.75A, 24V@0.38A	12V@0.82A, 24V@0.42A	12V@0.82A, 24V@0.42A
LED Qty.	4 x 3watt LED	4 x 3watt LED	4 x 3watt LED
Approvals	ECE R10/CE	ECE R10/CE	ECE R10/CE
IP Rating	IP67	IP67	IP67
Operating Temp	-40°C~ + 65°C	-40°C~ + 65°C	-40°C~ + 65°C
Lens Material	Polycarbonate	Polycarbonate	Polycarbonate
Housing Material	Aluminium	Aluminium	Aluminium
Connection	500mm Cable	500mm Cable	500mm Cable
Warranty	2 years	2 years	2 years
Fixture Type	Single bolt fixing	Single bolt fixing	Single bolt fixing
Weight	0.54 kg	0.54 kg	0.54 kg
Package Size	Inner box:110x125x110mm/Carton:390x345x240mm	Inner box:110x125x110mm/Carton:390x345x240mm	Inner box:110x125x110mm/Carton:390x345x240mm
PCS/CTN	18	18	18

Product Size

Photometric Specifications

Optional Accessory

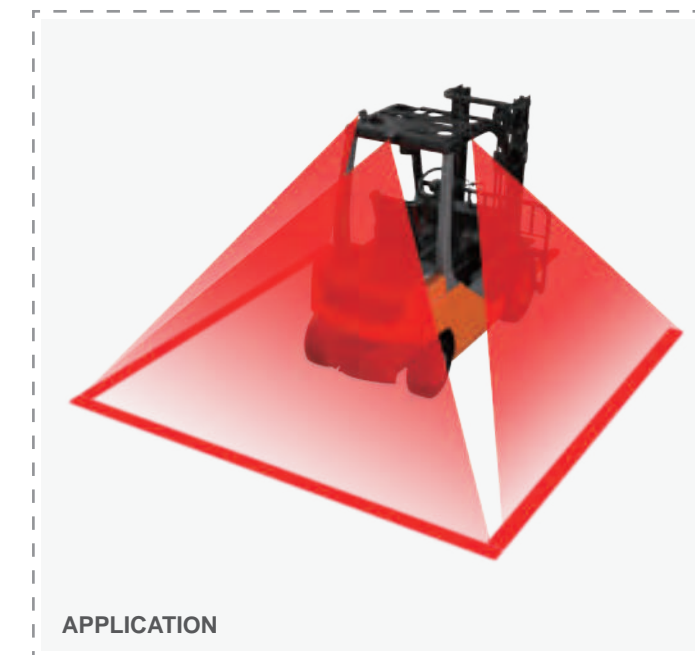
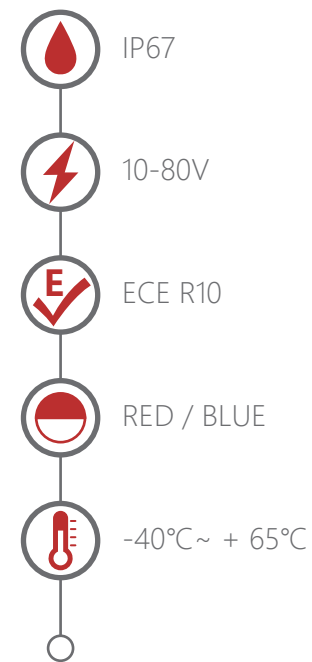
Product Size



Magnet base with silicone cover

FORKLIFT SAFETY LAMP

AB54L Series



APPLICATION

TECHNICAL SPECS OVERLEAF

FEATURES

- 10~80V, suitable for various types of forklift
- Durable PC lens minimizes environmental damage
- Aluminum housing allows effective heat dissipation and greatly extends lifespan
- IP67 rated, fully encapsulated for moisture, vibration and corrosion resistance
- With smooth straight line edges
- 2-year warranty

BEAM PATTERN



Red



Blue



AB5411-Line

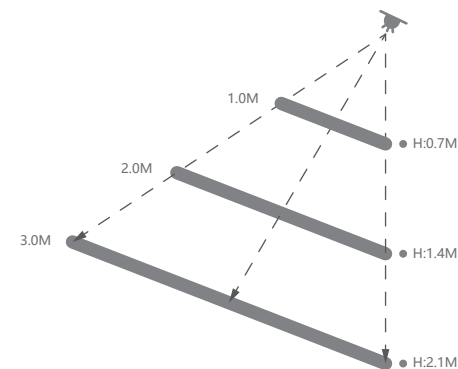
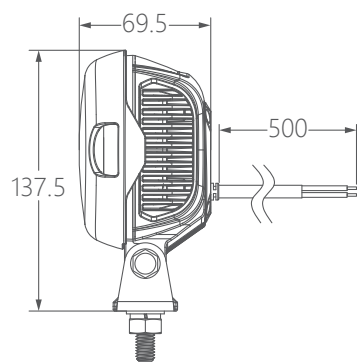
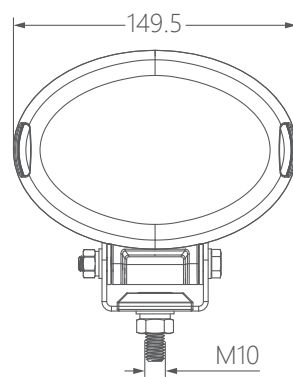
AB5431-Line

Picture



Description	Red Line Safety Lamp	Blue Line Safety Lamp
Part No.	FA01008	FA02006
Input Voltage	10~80V DC	10~80V DC
Current Draw	12V@1.9A, 24V@0.95A	12V@1.9A, 24V@0.95A
LED Qty.	6 x 3watt LED	6 x 3watt LED
Approvals	ECE R10	ECE R10
IP Rating	IP67	IP67
Operating Temp.	-40°C~ + 65°C	-40°C~ + 65°C
Lens Material	Polycarbonate	Polycarbonate
Housing Material	Aluminium	Aluminium
Connection	500mm Cable	500mm Cable
Warranty	2 years	2 years
Fixture Type	Single bolt fixing	Single bolt fixing
Weight	0.692kg	0.692kg
Package Size	Inner box:130*130*170mm/Carton:405*275*360mm	Inner box:130*130*170mm/Carton:405*275*360mm
PCS/CTN	12	12

Product Size



FORKLIFT SAFETY LAMP

AB54 Series



- IP67
- 10-80V
- ECE R10
- RED / BLUE
- 40°C~ + 65°C



APPLICATION

TECHNICAL SPECS OVERLEAF

FEATURES

- 10~80V, suitable for various types of forklift
- Durable PC lens minimizes environmental damage
- Aluminum housing allows effective heat dissipation and greatly extends lifespan
- IP67 rated, fully encapsulated for moisture, vibration and corrosion resistance
- With high visible round spot
- 2-year warranty

BEAM PATTERN



Red

Blue



AB5410-Spot

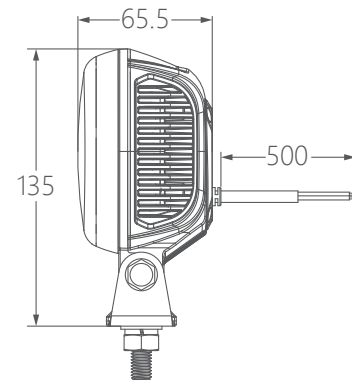
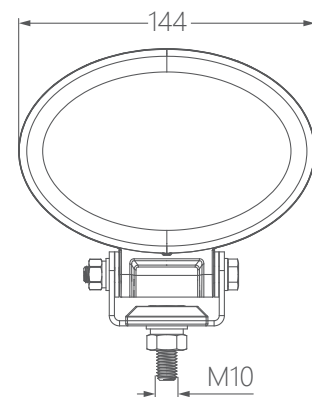
AB5430-Spot

Picture



Description	Red Spot Safety Lamp	Blue Spot Safety Lamp
Part No.	FA01014	FA02014
Input Voltage	10~80V DC	10~80V DC
Current Draw	12V@1.9A, 24V@0.95A	12V@1.9A, 24V@0.95A
LED Qty.	6 x 3watt LED	6 x 3watt LED
Approvals	ECE R10	ECE R10
IP Rating	IP67	IP67
Operating Temp.	-40°C~ + 65°C	-40°C~ + 65°C
Lens Material	Polycarbonate	Polycarbonate
Housing Material	Aluminium	Aluminium
Connection	500mm Cable	500mm Cable
Warranty	2 years	2 years
Fixture Type	Single bolt fixing	Single bolt fixing
Weight	0.67 kg	0.67 kg
Package Size	Inner box:130x130x170mm/Carton:410x275x360mm	Inner box:130x130x170mm/Carton:410x275x360mm
PCS/CTN	12	12

Product Size



FORKLIFT SAFETY LAMP

AB54T Series



- IP67
- 10-80V
- ECE R10
- RED / BLUE
- 40°C~ + 65°C



APPLICATION

TECHNICAL SPECS OVERLEAF

FEATURES

- 10~80V, suitable for various types of forklift
- Durable PC lens minimizes environmental damage
- Aluminum housing allows effective heat dissipation and greatly extends lifespan
- IP67 rated, fully encapsulated for moisture, vibration and corrosion resistance
- With high visible round spot
- AB54T projects tracking spots for better warning effect
- 2-year warranty

BEAM PATTERN



Red



Blue



AB5440-Tracking Spot

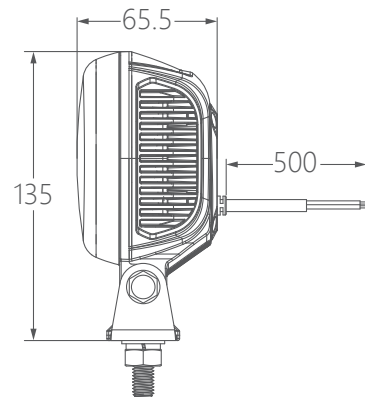
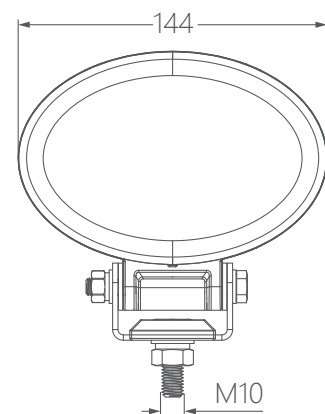
AB5441-Tracking Spot

Picture



Description	Red Tracking Spot Safety Lamp	Blue Tracking Spot Safety Lamp
Part No.	FA01015	FA07002
Input Voltage	10~80V DC	10~80V DC
Current Draw	12V@1.60A, 24V@0.85A	12V@1.80A, 24V@0.90A
LED Qty.	8 x 3watt LED	8 x 3watt LED
Approvals	ECE R10	ECE R10
IP Rating	IP67	IP67
Operating Temp.	-40°C~ + 65°C	-40°C~ + 65°C
Lens Material	Polycarbonate	Polycarbonate
Housing Material	Aluminium	Aluminium
Connection	500mm Cable	500mm Cable
Warranty	2 years	2 years
Fixture Type	Single bolt fixing	Single bolt fixing
Weight	0.67 kg	0.67 kg
Package Size	Inner box:130x130x170mm/Carton:410x275x360mm	Inner box:130x130x170mm/Carton:410x275x360mm
PCS/CTN	12	12

Product Size

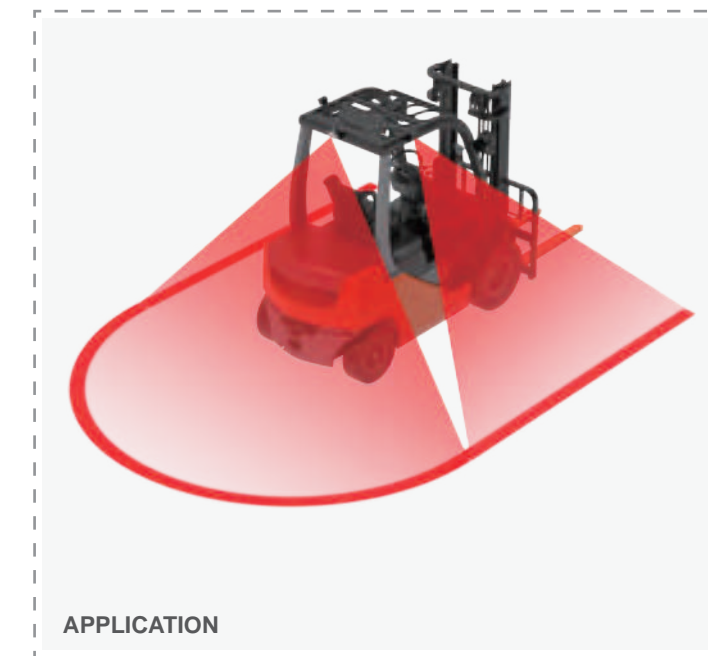


FORKLIFT SAFETY LAMP

AC84 Series



- IP67
- 10-80V
- ECE R10 / CE
- RED / GREEN / BLUE
- 40°C~ + 65°C



APPLICATION

TECHNICAL SPECS OVERLEAF

FEATURES

- 10~80V, suitable for various types of forklift
- Durable PC lens minimizes environmental damage
- Aluminum housing allows effective heat dissipation and greatly extends lifespan
- IP67 rated, fully encapsulated for moisture, vibration and corrosion resistance
- With smooth straight line edges
- Enhanced brightness: two times brighter than AA96 series
- Using 3 pcs AC84 to form a square warning zone, or 2 pcs AC84 and 1 pc AA95 to form a perfect U shape warning zone
- Will not cause OBD display problem on electrical vehicles
- Can work under freezer environment
- 2-year warranty

BEAM PATTERN



Red

Green

Blue



AC8410-Line

AC8430-Line

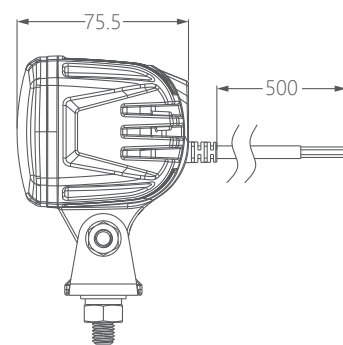
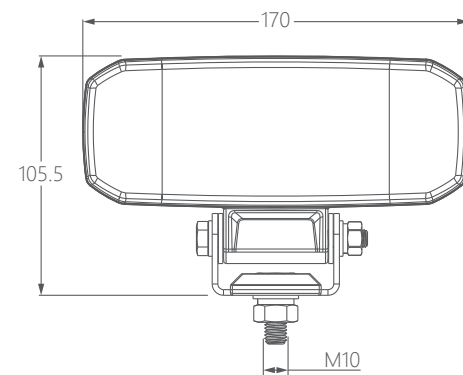
AC8440-Line

Picture

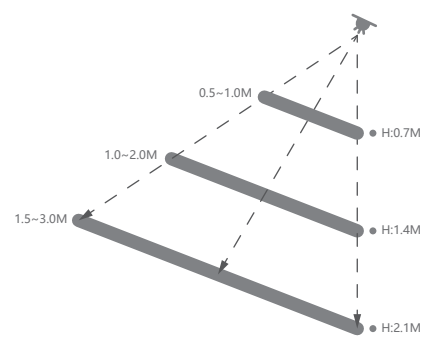


Description	Red Line Safety Lamp	Blue Line Safety Lamp	Red+Blue Line Safety Lamp
Part No.	FA01020	FA02022	FA04004
Input Voltage	10~80V DC	10~80V DC	10~80V DC
Current Draw	12V@1.8A, 24V@0.86A	12V@1.9A, 24V@0.9A	12V@1.0A,24V@0.5A+12V@1.29A,24V@0.63A
LED Qty.	8 x 3watt LED	8 x 3watt LED	4 x 3+4 x 3watt LED
Approvals	ECE R10/CE	ECE R10/CE	ECE R10/CE
IP Rating	IP67	IP67	IP67
Operating Temp	-40°C~ + 65°C	-40°C~ + 65°C	-40°C~ + 65°C
Lens Material	Polycarbonate	Polycarbonate	Polycarbonate
Housing Material	Aluminium	Aluminium	Aluminium
Connection	500mm Cable	500mm Cable	500mm Cable
Warranty	2 years	2 years	2 years
Fixture Type	Single bolt fixing	Single bolt fixing	Single bolt fixing
Weight	0.54 kg	0.54 kg	0.54 kg
Package Size	Inner box:115*100*170mm/Carton:360*315*360mm	Inner box:115*100*170mm/Carton:360*315*360mm	Inner box:115*100*170mm/Carton:360*315*360mm
PCS/CTN	18	18	18

Product Size



Photometric Specifications



Product Size

EMERGENCY LAMP

XA61 Series



- IP67
- 10-30V
- ECE R10 / ECE R65 Class2 / SAE J595 Class1
- AMBER / RED / BLUE
- 40°C~ + 65°C



APPLICATION



TECHNICAL SPECS OVERLEAF

FEATURES

- ECE R10(EMC), ECE R65 Class 2 and SAE J595 Class1 Certified
- Fully encapsulated for moisture, vibration and corrosion resistance
- Ultra-slim body, only 12.3mm high
- 6~12 pcs high-quality LEDs ensure consistent performance, extremely low current draw
- Aluminum die-cast housing provides excellent heat dissipation
- Finely designed polycarbonate lens shape produces uncompromising illumination
- Faster and easier surface mounting via two screws
- 11~17 optional flash patterns and can be customized
- 2-year warranty





EMERGENCY LAMP | XA62 Series

XA6130-Lighthead

XA6114-Lighthead

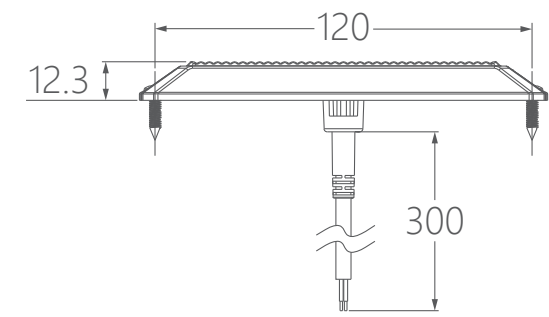
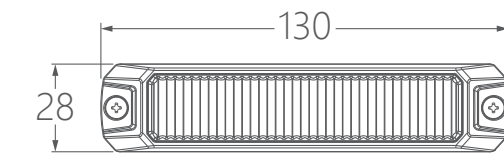
XA6134-Lighthead

Picture



Description	Amber Warning Lamp	Amber+White	Red+Blue
Part No.	FX01011	FX05002	FX06004
Input Voltage	10~30V DC	10~30V DC	10~30V DC
Current Draw	12V@1.20A, 24V@0.57A	12V@ 0.40A, 24V@ 0.20A	12V@ 0.60A, 24V@ 0.30A
LED Qty.	6 x 3watt LED	3 x 1watt + 3 x 1watt LED	3 x 3watt + 3 x 3watt LED
Approvals	ECE R10/ECE R65 Class2/SAE J595 Class1	ECE R10/ECE R65 Class 1/SAE J595 Class 1	ECE R10/ECE R65 Class 1/SAE J595 Class 1
IP Rating	IP67	IP67	IP67
Operating Temp.	-40°C~ + 65°C	-40°C~ + 65°C	-40°C~ + 65°C
Flash Patterns	12 Flash Patterns	15 Flash Patterns	15 Flash Patterns
Visibility	180°	180°	180°
Lens Material	Polycarbonate	Polycarbonate	Polycarbonate
Housing Material	Aluminium	Aluminium	Aluminium
Connection	300mm Cable	300mm Cable	300mm Cable
Warranty	2 years	2 years	2 years
Fixture Type	Two screws fixing	Two screws fixing	Two screws fixing
Weight	0.079 kg	0.079 kg	0.079 kg
Package Size	Inner box:55x35x140mm/Carton:290x190x300mm	Inner box:55x35x140mm/Carton:290x190x300mm	Inner box:55x35x140mm/Carton:290x190x300mm
PCS/CTN	50	50	50

Product Size



IP67



10-30V



ECE R10 / ECE R65 Class2 / SAE J595 Class1



RED / AMBER / BLUE



-40°C~ + 65°C

APPLICATION



TECHNICAL SPECS OVERLEAF

FEATURES

- ECE R10(EMC), ECE R65 Class 2 and SAE J595 Class1 Certified
- Fully encapsulated for moisture, vibration and corrosion resistance
- 4 high-quality LEDs ensure consistent performance, extremely low current draw
- Aluminum die-cast housing provides excellent heat dissipation
- Finely designed polycarbonate lens shape produces uncompromising illumination
- Faster and easier surface mounting via two screws
- 12 optional flash patterns and can be customized
- 2-year warranty





XA6230-Lighthouse

XA6243-Lighthouse

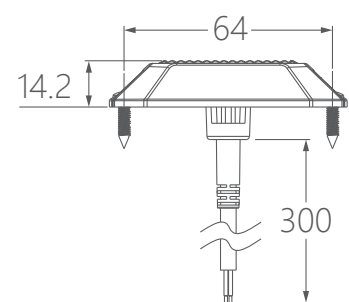
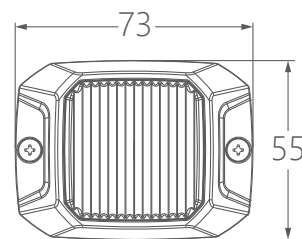
XA6241-Lighthouse

Picture



Description	Amber Warning Lamp	Amber+White	Red+Blue
Part No.	FX01005	FX05004	FX06002
Input Voltage	10~30V DC	10~30V DC	10~30V DC
Current Draw	12V@0.85A, 24V@0.4A	12V@0.50A, 24V@0.25A	12V@0.50A, 24V@0.25A
LED Qty.	4 x 3watt LED	2 x 3watt + 2 x 3watt LED	2 x 3watt + 2 x 3watt LED
Approvals	ECE R10/ECE R65 Class 2/SAE J595 Class 1	ECE R10/ECE R65 Class 1/SAE J595 Class 1	ECE R10/ECE R65 Class 1/SAE J595 Class 1
IP Rating	IP67	IP67	IP67
Operating Temp.	-40°C~ + 65°C	-40°C~ + 65°C	-40°C~ + 65°C
Flash Patterns	12 Flash Patterns	15 Flash Patterns	15 Flash Patterns
Visibility	180°	180°	180°
Lens Material	Polycarbonate	Polycarbonate	Polycarbonate
Housing Material	Aluminium	Aluminium	Aluminium
Connection	300mm Cable	300mm Cable	300mm Cable
Warranty	2 years	2 years	2 years
Fixture Type	Two screws fixing	Two screws fixing	Two screws fixing
Weight	0.0875 kg	0.0875 kg	0.0875 kg
Package Size	Inner box:60x60x83mm/Carton:315x315x186mm	Inner box:60x60x83mm/Carton:315x315x186mm	Inner box:60x60x83mm/Carton:315x315x186mm
PCS/CTN	50	50	50

Product Size



BEACON | TA81 Series



IP67



10-30V



ECE R10 / ECE R65 Class1 /
CISPR 25 Class3 / SAE J845 Class1



RED / AMBER / BLUE



-40°C ~ + 65°C



APPLICATION



TECHNICAL SPECS OVERLEAF

FEATURES

- Virtually no RFI/EMI radiation
- Fully encapsulated for moisture, vibration and corrosion resistance
- High quality LED modules provide consistent warning performance
- Aluminum die casting outer dome and extruded aluminum platform ensure stability during extended dwell time and long life dependability
- Flash patterns can be customized
- 3 mounting models: screw, magnet and DIN pole
- Magnet mounting model meets ISO-4148 standard
- 2-year warranty

MOUNTING





TA8110-Beacon

TA8111-Beacon

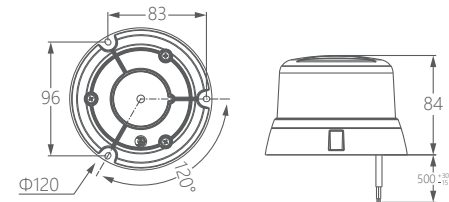
TA8112-Beacon

Picture

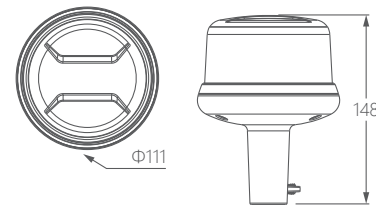


Description	Amber Beacon Warning Lamp	Amber Beacon Warning Lamp	Amber Beacon Warning Lamp
Part No.	FT01007	FT01009	FT01010
Input Voltage	10~30V DC	10~30V DC	10~30V DC
Current Draw	12V@2.0A, 24A@1.0A	12V@2.0A, 24A@1.0A	12V@2.0A, 24A@1.0A
LED Qty.	16 x 1watt LED	16 x 1watt LED	16 x 1watt LED
Approvals	ECE R10/ECE R65 Class 1/SAE Class 1/Cispr 25 Class 3	ECE R10/ECE R65 Class 1/SAE Class 1/Cispr 25 Class 3	ECE R10/ECE R65 Class 1/SAE Class 1/Cispr 25 Class 3
IP Rating	IP67	IP67	IP67
Operating Temp.	-40°C~ + 65°C	-40°C~ + 65°C	-40°C~ + 65°C
Flash Patterns	11 Flash Patterns	11 Flash Patterns	11 Flash Patterns
Visibility	360°	360°	360°
Lens Material	Polycarbonate	Polycarbonate	Polycarbonate
Housing Material	Aluminium	Aluminium	Aluminium
Connection	500mm Cable	DIN pole	2500mm Cable+Cigar Plug
Warranty	2 years	2 years	2 years
Fixture Type	Three screw fixing	DIN pole	Magnet
Weight	0.465 kg	0.5 kg	0.73 kg
Package Size	Inner box:130*130*170mm/Carton:405x275x360mm	Inner box:130x130x170mm/Carton:405x275x360mm	Inner box:130x130x170mm/Carton:405x275x360mm
PCS/CTN	12	12	12

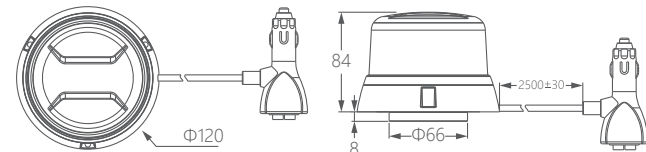
Product Size



Bolt Mount



DIN Pole



Magnet Mount

BEACON | TA82 Series



IP67



10-30V



ECE R10 / ECE R65 Class2 / CISPR25 Class3 / SAE J845 Class1



RED / AMBER / BLUE



-40°C~ + 65°C

APPLICATION



TECHNICAL SPECS OVERLEAF

FEATURES

- Virtually no RFI/EMI radiation
- Fully encapsulated for moisture, vibration and corrosion resistance
- High quality LED modules provide consistent warning performance
- Aluminum die casting outer dome and extruded aluminum platform ensure stability during extended dwell time and long life dependability
- Flash patterns can be customized
- 3 mounting models: screw, magnet and DIN pole
- Magnet mounting model meets ISO-4148 standard
- 2-year warranty

MOUNTING



TA8210-Beacon

TA8211-Beacon

TA8212-Beacon

TA8213-Beacon

TA8214-Beacon

TA8215-Beacon

Picture



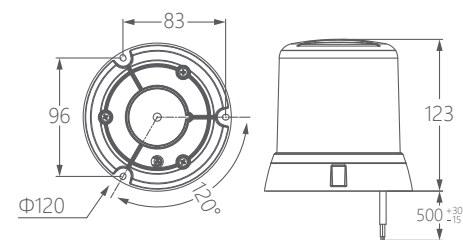
Picture



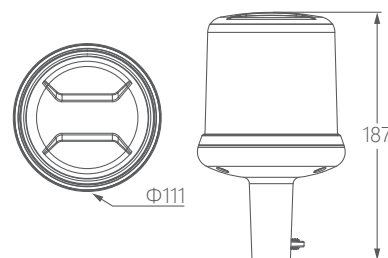
Description	Amber Beacon Warning Lamp	Amber Beacon Warning Lamp	Amber Beacon Warning Lamp
Part No.	FT01011	FT01013	FT01014
Input Voltage	10~30V DC	10~30V DC	10~30V DC
Current Draw	12V@2.0A, 24A@1.0A	12V@2.0A, 24A@1.0A	12V@2.0A, 24A@1.0A
LED Qty.	32 x 0.5watt LED	32 x 0.5watt LED	32 x 0.5watt LED
Approvals	ECE R10/ECE R65 Class 1/SAE Class 1/Cispr 25 Class 3	ECE R10/ECE R65 Class 1/SAE Class 1/Cispr 25 Class 3	ECE R10/ECE R65 Class 1/SAE Class 1/Cispr 25 Class 3
IP Rating	IP67	IP67	IP67
Operating Temp.	-40°C~ + 65°C	-40°C~ + 65°C	-40°C~ + 65°C
Flash Patterns	11 Flash Patterns	11 Flash Patterns	11 Flash Patterns
Visibility	360°	360°	360°
Lens Material	Polycarbonate	Polycarbonate	Polycarbonate
Housing Material	Aluminium	Aluminium	Aluminium
Connection	500mm Cable	DIN pole	2500mm Cable+Cigar Plug
Warranty	2 years	2 years	2 years
Fixture Type	Three screw fixing	DIN pole	Magnet
Weight	0.645 kg	0.69 kg	0.91 kg
Package Size	Inner box:130x130x210mm/Carton:405x275x440mm	Inner box:130x130x210mm/Carton:405x275x440mm	Inner box:130x130x210mm/Carton:405x275x440mm
PCS/CTN	12	12	12

Description	Amber Beacon Warning Lamp	Amber Beacon Warning Lamp	Amber Beacon Warning Lamp
Part No.	FT01061	FT01062	FT01063
Input Voltage	10~30V DC	10~30V DC	10~30V DC
Current Draw	12V@4.0A, 24V@2.0A	12V@4.0A, 24V@2.0A	12V@4.0A, 24V@2.0A
LED Qty.	32 x 1watt LED	32 x 1watt LED	32 x 1watt LED
Approvals	ECE R10/ECE R65 Class 2/SAE Class 1/Cispr 25 Class 3	ECE R10/ECE R65 Class 2/SAE Class 1/Cispr 25 Class 3	ECE R10/ECE R65 Class 2/SAE Class 1/Cispr 25 Class 3
IP Rating	IP67	IP67	IP67
Operating Temp.	-40°C~ + 65°C	-40°C~ + 65°C	-40°C~ + 65°C
Flash Patterns	12 Flash Patterns	12 Flash Patterns	12 Flash Patterns
Visibility	360°	360°	360°
Lens Material	Polycarbonate	Polycarbonate	Polycarbonate
Housing Material	Aluminium	Aluminium	Aluminium
Connection	500mm Cable	DIN pole	2500mm Cable+Cigar Plug
Warranty	2 years	2 years	2 years
Fixture Type	Three screw fixing	DIN pole	Magnet
Weight	0.645 kg	0.69 kg	0.91 kg
Package Size	Inner box:130x130x210mm/Carton:405x275x440mm	Inner box:130x130x210mm/Carton:405x275x440mm	Inner box:130x130x210mm/Carton:405x275x440mm
PCS/CTN	12	12	12

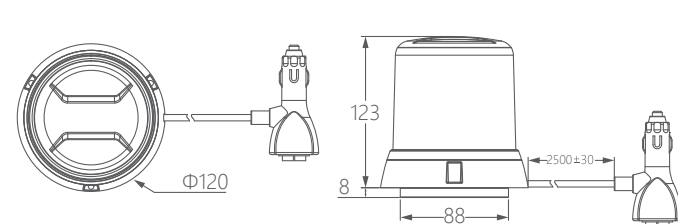
Product Size



Bolt Mount

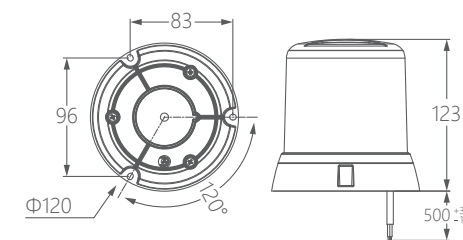


DIN Pole

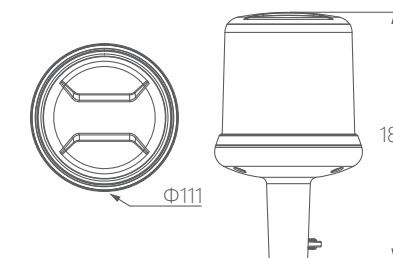


Magnet Mount

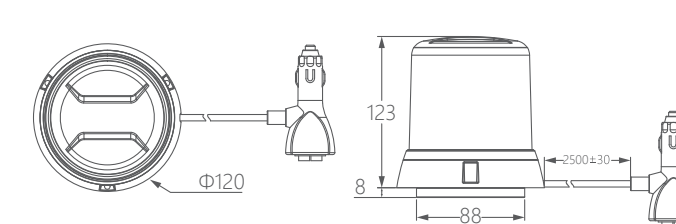
Product Size



Bolt Mount



DIN Pole



Magnet Mount



Aluminium top cover

Ultra-thick lens

Rubber gasket

PCBA

Aluminium base

Magnet

Cigar plug



PATENT NO. : 202020334052.3



IP67



10-30V



ECE R10 / ECE R65 Class1 /
CISPR 25 Class3 / SAE J845 Class1



RED / AMBER / BLUE



-40°C ~ + 65°C



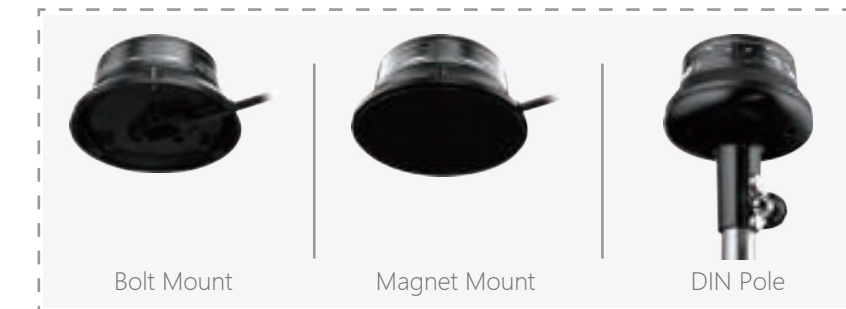
APPLICATION

TECHNICAL SPECS OVERLEAF

FEATURES

- Virtually no RFI/EMI radiation
- Fully encapsulated for moisture, vibration and corrosion resistance
- High quality LED modules provide consistent warning performance
- Low profile, aluminum die casting outer dome and extruded aluminum platform ensure stability during extended dwell time and long life dependability
- Flash patterns can be customized
- 3 mounting models: screw, magnet and DIN pole
- Magnet mounting model meets ISO-4148 standard
- 2-year warranty

MOUNTING



Bolt Mount

Magnet Mount

DIN Pole



TA9310-Beacon

TA9311-Beacon

TA9312-Beacon

Picture



Description	Amber Beacon Warning Lamp	Amber Beacon Warning Lamp	Amber Beacon Warning Lamp
Part No.	FT01003	FT01005	FT01006
Input Voltage	10~30V DC	10~30V DC	10~30V DC
Current Draw	12V@3.3A, 24V@1.7A	12V@3.3A, 24V@1.7A	12V@3.3A, 24V@1.7A
LED Qty.	24 x 1watt LED	24 x 1watt LED	24 x 1watt LED
Approvals	CE/ECE R10/ECE R65 Class 1/SAE Class 1/Cispr 25 Class 3	CE/ECE R10/ECE R65 Class 1/SAE Class 1/Cispr 25 Class 3	CE/ECE R10/ECE R65 Class 1/SAE Class 1/Cispr 25 Class 3
IP Rating	IP67	IP67	IP67
Operating Temp.	-40°C~ + 65°C	-40°C~ + 65°C	-40°C~ + 65°C
Flash Patterns	11 Flash Patterns	11 Flash Patterns	11 Flash Patterns
Visibility	360°	360°	360°
Lens Material	Polycarbonate	Polycarbonate	Polycarbonate
Housing Material	Aluminium	Aluminium	Aluminium
Connection	500mm Cable	DIN pole	2500mm Cable+Cigar Plug
Warranty	2 years	2 year warranty	2 year warranty
Fixture Type	Three screw fixing	DIN pole	Magnet
Weight	0.39 kg	0.53 kg	0.57 kg
Package Size	Inner box:116*116*72mm/Carton:370x250x310mm	Inner box:116*116*145mm/Carton:370x250x310mm	Inner box:116*116*95mm/Carton:370x250x310mm
PCS/CTN	24	12	18

BEACON | TB25 Series



IP67



10-80V



ECE R10 / ECE R65 Class1 / SAE J845 Class1



RED / AMBER / BLUE

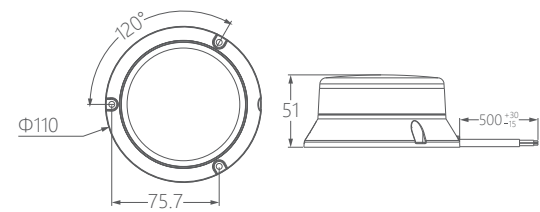


-40°C~ + 65°C

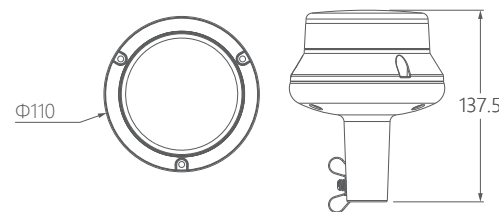


TECHNICAL SPECS OVERLEAF

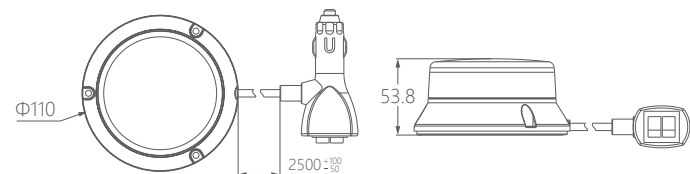
Product Size



Bolt Mount



DIN Pole



Magnet Mount

FEATURES

- Sleek, low-profile appearance with a solid aluminum base
- Highly-visible light source powered by top-rated LEDs
- Polycarbonate lens resists scratching and scuffing
- Different LED colors can be utilized to the clear lens
- 3 mounting models: screw, magnet and 1/2" NPT
- Flash patterns can be customized
- 2-year warranty

MOUNTING





TB2510-Beacon

TB2511-Beacon

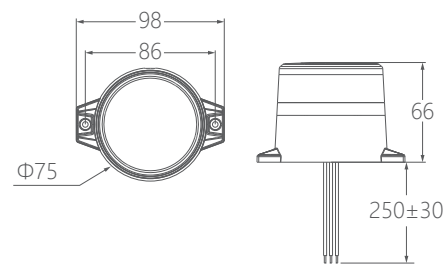
TB2512-Beacon

Picture

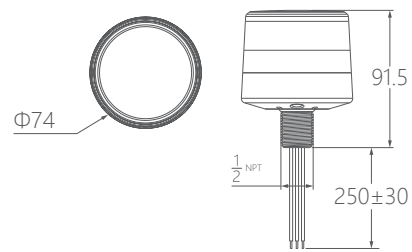


Description	Amber Beacon Warning Lamp	Amber Beacon Warning Lamp	Amber Beacon Warning Lamp
Part No.	FT01084	FT01085	FT01086
Input Voltage	10~80V DC	10~80V DC	10~80V DC
Current Draw	12V@2.3A, 24V@1.2A	12V@2.3A, 24V@1.2A	12V@2.3A, 24V@1.2A
LED Qty.	20 x 1watt LED	20 x 1watt LED	20 x 1watt LED
Approvals	ECE R10 / ECE R65 Class1	ECE R10 / ECE R65 Class1	ECE R10 / ECE R65 Class1
IP Rating	IP67	IP67	IP67
Operating Temp.	-40°C~ + 65°C	-40°C~ + 65°C	-40°C~ + 65°C
Flash Patterns	12 Flash Patterns	12 Flash Patterns	12 Flash Patterns
Visibility	360°	360°	360°
Lens Material	Polycarbonate	Polycarbonate	Polycarbonate
Housing Material	Aluminium	Aluminium	Aluminium
Connection	250mm Wire	250mm Wire	2500mm Cable+Cigar Plug
Warranty	2 years	2 years	2 years
Fixture Type	Two screw fixing	1/2" NPT	Magnet
Weight	0.29 kg	0.26 kg	0.58 kg
Package Size	Inner box:95x95x105mm/Carton:500x500x240mm	Inner box:95*95*105mm/Carton:500x500x240mm	Inner box:126*115*115mm/Carton:400*385*255mm
PCS/CTN	50	50	18

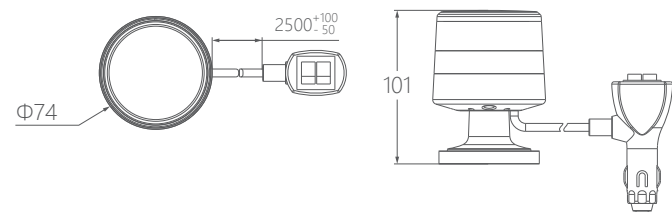
Product Size



Bolt Mount



1/2" NPT



Magnet Mount

BEACON | TC26 Series



IP67



10-30V



ECE R10 / ECE R65 Class1 /
CISPR 25 Class3 / SAE J845 Class1



RED / AMBER / BLUE



-40°C~ + 65°C



APPLICATION



TECHNICAL SPECS OVERLEAF

FEATURES

- Virtually no RFI/EMI radiation
- Fully encapsulated for moisture, vibration and corrosion resistance
- High quality LED modules provide consistent warning performance
- Low profile, aluminum die casting outer dome and extruded aluminum platform ensure stability during extended dwell time and long life dependability
- Flash patterns can be customized
- 3 mounting models: screw, magnet and DIN pole
- Magnet mounting model meets ISO-4148 standard
- 2-year warranty

MOUNTING



TC2610-Beacon

TC2611-Beacon

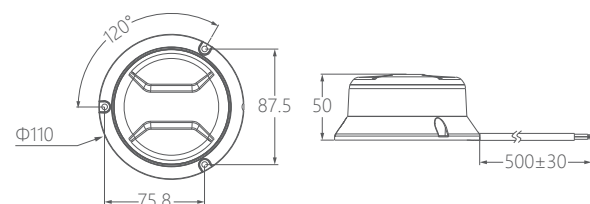
TC2612-Beacon

Picture

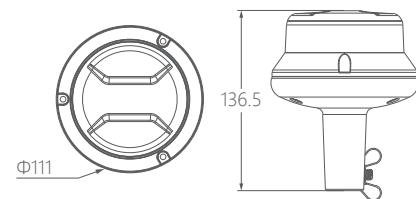


Description	Amber Beacon Warning Lamp	Amber Beacon Warning Lamp	Amber Beacon Warning Lamp
Part No.	FT01106	FT01109	FT01110
Input Voltage	10~30V DC	10~30V DC	10~30V DC
Current Draw	12V@1.75A 24V@0.87A	12V@1.75A 24V@0.87A	12V@1.75A 24V@0.87A
LED Qty.	32 x 0.5watt LED	32 x 0.5watt LED	32 x 0.5watt LED
Approvals	ECE R10 / ECE R65 Class1	ECE R10 / ECE R65 Class1	ECE R10 / ECE R65 Class1
IP Rating	IP67	IP67	IP67
Operating Temp.	-40°C~ + 65°C	-40°C~ + 65°C	-40°C~ + 65°C
Flash Patterns	11 Flash Patterns	11 Flash Patterns	11 Flash Patterns
Visibility	360°	360°	360°
Lens Material	Polycarbonate	Polycarbonate	Polycarbonate
Housing Material	Aluminium	Aluminium	Aluminium
Connection	500mm Cable	DIN pole	2500mm Cable+Cigar Plug
Warranty	2 years	2 years	2 years
Fixture Type	Three screw fixing	DIN pole	Magnet
Weight	0.37 kg	0.48 kg	0.59 kg
Package Size	Inner box:116*116*72mm/Carton:370*250*310mm	Inner box:116*116*145mm/Carton:370*250*310mm	Inner box:116*116*95mm/Carton:370*250*310mm
PCS/CTN	24	12	18

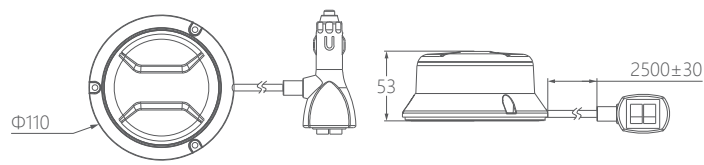
Product Size



Bolt Mount



DIN Pole



Magnet Mount

BEACON | TD12-1 Series



IP67



10-30V



ECE R10/ECE R65 Class 2/SAE J845 Class 1



RED/AMBER/BUE



-40°C~ + 65°C

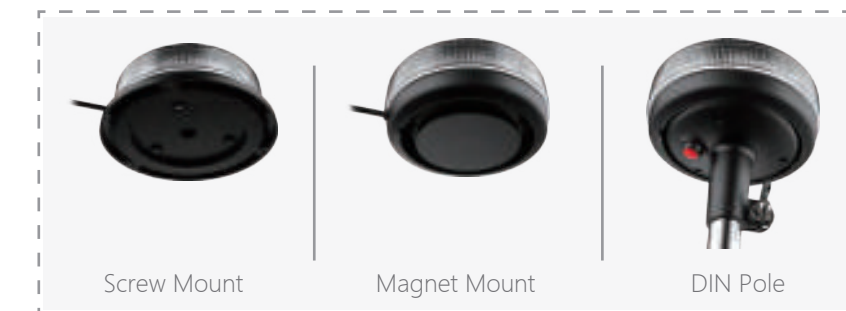


TECHNICAL SPECS OVERLEAF

FEATURES

- ECE R10(EMC), ECE R65 Class 2 certified
- Fully encapsulated for moisture, vibration and corrosion resistance
- Special structural design enable up to 3 layers(colors) assembled vertically
- High-intensity LEDs to provide consistent lighting performance
- Durable PC dome and base ensure stability during extended dwell time and long life dependability
- 11 standard flash patterns and also can be customized
- 3 mounting models available (screw, magnet, DIN pole)
- Magnet mounting model meets ISO-4148 standard
- 2 years warranty

MOUNTING






Screw Mount

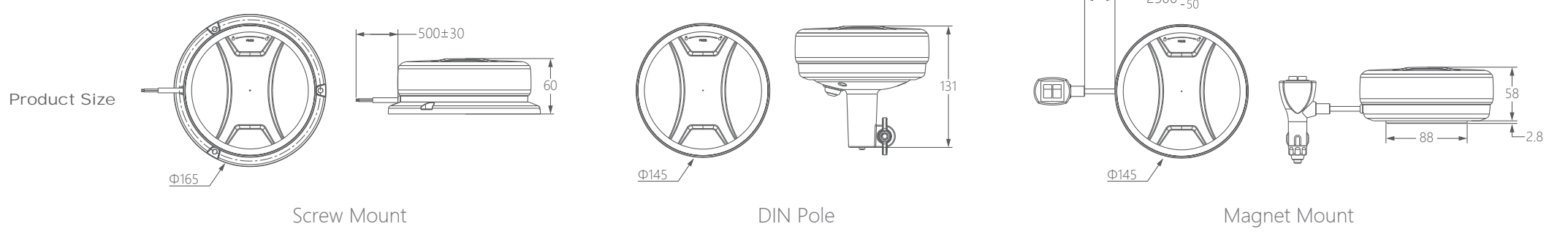
Magnet Mount

DIN Pole








TD1210-Beacon TD1211-Beacon TD1212-Beacon

Picture			
Description	Amber Emergency Beacon	Amber Emergency Beacon	Amber Emergency Beacon
Part No.	FT01401	FT01402	FT01403
Input Voltage	10-30V DC	10-30V DC	10-30V DC
Current Draw	12V@2.08A, 24V@1.04A	12V@2.08A, 24V@1.04A	12V@2.08A, 24V@1.04A
LED Qty.	16 x 1watt LED	16 x 1watt LED	16 x 1watt LED
Approvals	ECE R10/ECE R65 Class 2/SAE Class 1/CISPR 25 Class 3	ECE R10/ECE R65 Class 2/SAE Class 1/CISPR 25 Class 3	ECE R10/ECE R65 Class 2/SAE Class 1/CISPR 25 Class 3
IP Rating	IP67	IP67	IP67
Operating Temp.	-40°C~ + 65°C	-40°C~ + 65°C	-40°C~ + 65°C
Flash Patterns	11 Flash Patterns	11 Flash Patterns	11 Flash Patterns
Visibility	360°	360°	360°
Lens Material	Polycarbonate	Polycarbonate	Polycarbonate
Housing Material	Polycarbonate	Polycarbonate	Polycarbonate
Connection	500mm Cable	DIN Pole	2500mm Cable+Cigar Plug
Warranty	2 years	2 years	2 years
Fixture Type	Three screw fixing	DIN Pole	Magnet
Weight	0.65 kg	0.7 kg	0.86 kg
Package Size	Inner box:175*175*110mm/Carton:540*365*355mm	Inner box:175*175*170mm/Carton:540*365*355mm	Inner box:175*175*110mm/Carton:540*365*355mm
PCS/CTN	18	12	18



BEACON | TD12-2 Series

-  IP67
-  10-30V
-  ECE R10/ECE R65 Class 2/SAE J845 Class 1
-  RED/AMBER/BUE
-  -40°C~ + 65°C



 TECHNICAL SPECS OVERLEAF

FEATURES

- ECE R10(EMC), ECE R65 Class 2 certified
- Fully encapsulated for moisture, vibration and corrosion resistance
- Special structural design enable up to 3 layers(colors) assembled vertically
- High-intensity LEDs to provide consistent lighting performance
- Durable PC dome and base ensure stability during extended dwell time and long life dependability
- 11 standard flash patterns and also can be customized
- 3 mounting models available (screw, magnet, DIN pole)
- Magnet mounting model meets ISO-4148 standard
- 2 years warranty

MOUNTING





TD1220-Beacon

TD1221-Beacon

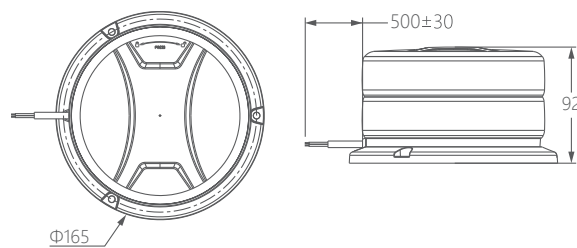
TD1222-Beacon

Picture

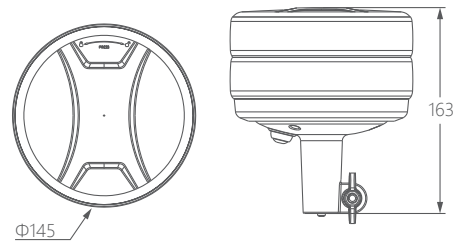


Description	Amber Emergency Beacon	Amber Emergency Beacon	Amber Emergency Beacon
Part No.	FT01404	FT01405	FT01406
Input Voltage	10-30V DC	10-30V DC	10-30V DC
Current Draw	12V@2.33A, 24V@1.16A	12V@2.33A, 24V@1.16A	12V@2.33A, 24V@1.16A
LED Qty.	32 x 1watt LED	32 x 1watt LED	32 x 1watt LED
Approvals	ECE R10/ECE R65 Class 2/SAE Class 1/CISPR 25 Class 3	ECE R10/ECE R65 Class 2/SAE Class 1/CISPR 25 Class 3	ECE R10/ECE R65 Class 2/SAE Class 1/CISPR 25 Class 3
IP Rating	IP67	IP67	IP67
Operating Temp.	-40°C~ + 65°C	-40°C~ + 65°C	-40°C~ + 65°C
Flash Patterns	11 Flash Patterns	11 Flash Patterns	11 Flash Patterns
Visibility	360°	360°	360°
Lens Material	Polycarbonate	Polycarbonate	Polycarbonate
Housing Material	Polycarbonate	Polycarbonate	Polycarbonate
Connection	500mm Cable	DIN Pole	2500mm Cable+Cigar Plug
Warranty	2 years	2 years	2 years
Fixture Type	Three screw fixing	DIN Pole	Magnet
Weight	0.95 kg	1 kg	1.16 kg
Package Size	Inner box:175*175*110mm/Carton:540*365*355mm	Inner box:175*175*170mm/Carton:540*365*355mm	Inner box:175*175*110mm/Carton:540*365*355mm
PCS/CTN	18	12	18

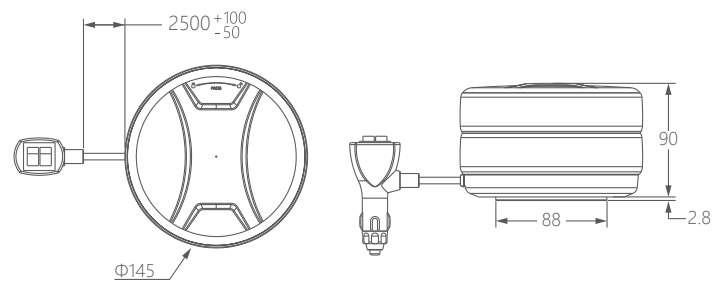
Product Size



Screw Mount



DIN Pole



Magnet Mount

BEACON | TD12-3 Series

- IP67
- 10-30V
- ECE R10/ECE R65 Class 2/SAE J845 Class 1
- RED/AMBER/BUE
- 40°C~ + 65°C



TECHNICAL SPECS OVERLEAF

FEATURES

- ECE R10(EMC), ECE R65 Class 2 certified
- Fully encapsulated for moisture, vibration and corrosion resistance
- Special structural design enable up to 3 layers(colors) assembled vertically
- High-intensity LEDs to provide consistent lighting performance
- Durable PC dome and base ensure stability during extended dwell time and long life dependability
- 11 standard flash patterns and also can be customized
- 3 mounting models available (screw, magnet, DIN pole)
- Magnet mounting model meets ISO-4148 standard
- 2 years warranty




MOUNTING

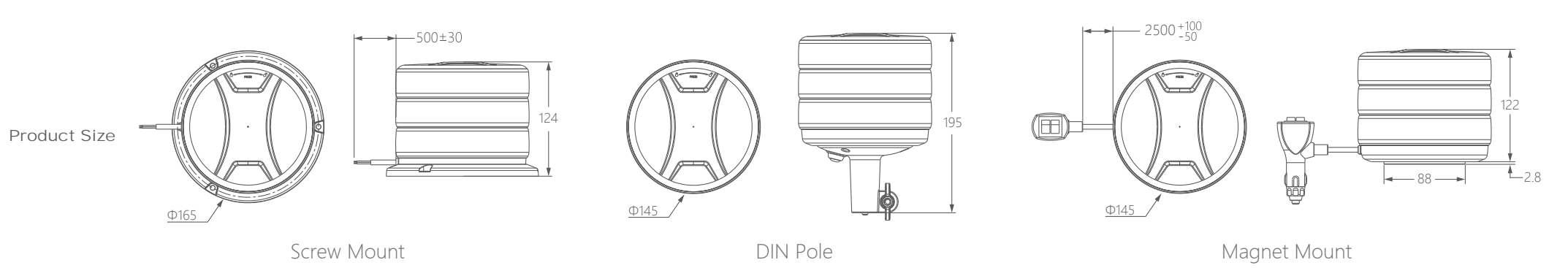









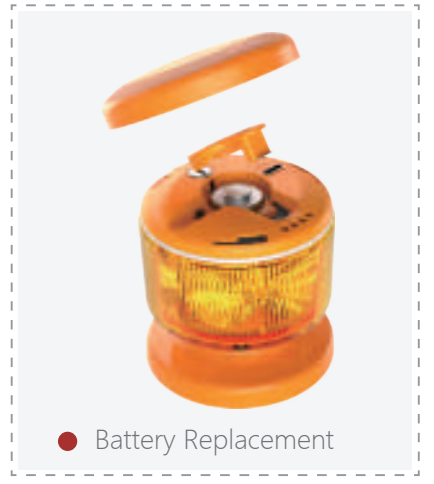
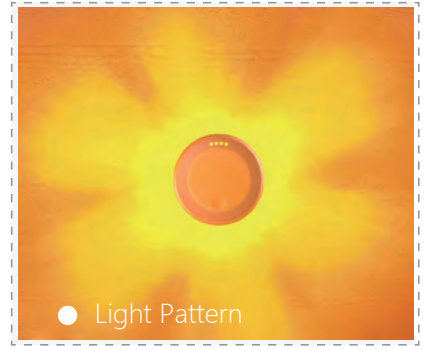
BEACON | TD17 Series

TD1230-Beacon TD1231-Beacon TD1232-Beacon

Picture			
Description	Amber Emergency Beacon	Amber Emergency Beacon	Amber Emergency Beacon
Part No.	FT01316	FT01397	FT01398
Input Voltage	10-30V DC	10-30V DC	10-30V DC
Current Draw	12V@2.33A, 24V@1.16A	12V@2.33A, 24V@1.16A	12V@2.33A, 24V@1.16A
LED Qty.	48 x 1watt LED	48 x 1watt LED	48 x 1watt LED
Approvals	ECE R10/ECE R65 Class 2/SAE Class 1/CISPR 25 Class 3	ECE R10/ECE R65 Class 2/SAE Class 1/CISPR 25 Class 3	ECE R10/ECE R65 Class 2/SAE Class 1/CISPR 25 Class 3
IP Rating	IP67	IP67	IP67
Operating Temp.	-40°C~ + 65°C	-40°C~ + 65°C	-40°C~ + 65°C
Flash Patterns	11 Flash Patterns	11 Flash Patterns	11 Flash Patterns
Visibility	360°	360°	360°
Lens Material	Polycarbonate	Polycarbonate	Polycarbonate
Housing Material	Polycarbonate	Polycarbonate	Polycarbonate
Connection	500mm Cable	DIN Pole	2500mm Cable+Cigar Plug
Warranty	2 years	2 years	2 years
Fixture Type	Three screw fixing	DIN Pole	Magnet
Weight	1.25 kg	1.3 kg	1.46 kg
Package Size	Inner box:175*175*170mm/Carton:540*365*355mm	Inner box:155*155*240mm/Carton:465*335*495mm	Inner box:175*175*170mm/Carton:540*365*355mm
PCS/CTN	12	12	12

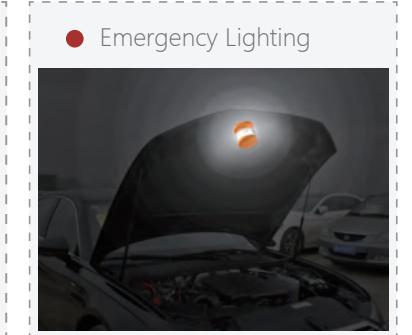
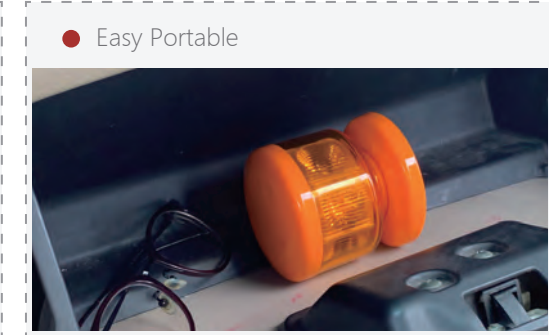


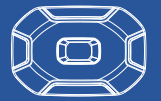
-  IP67
-  5V Rechargeable Lithium Battery
-  ECE R10 / SAE J845 Class1
-  AMBER / WHITE
-  -40°C~ + 65°C



FEATURES

- Super portable, USB cable recharging, powerful magnet
- 8 flash patterns.
- Visible at long distance by 360
- High quality LED provide strong warning performance.
- Around 10-hours of duration time under certain model.
- IP67 rated, fully sealed and waterproof.
- Magnet mounting meets ISO-4148 standard.
- 2-year warranty.





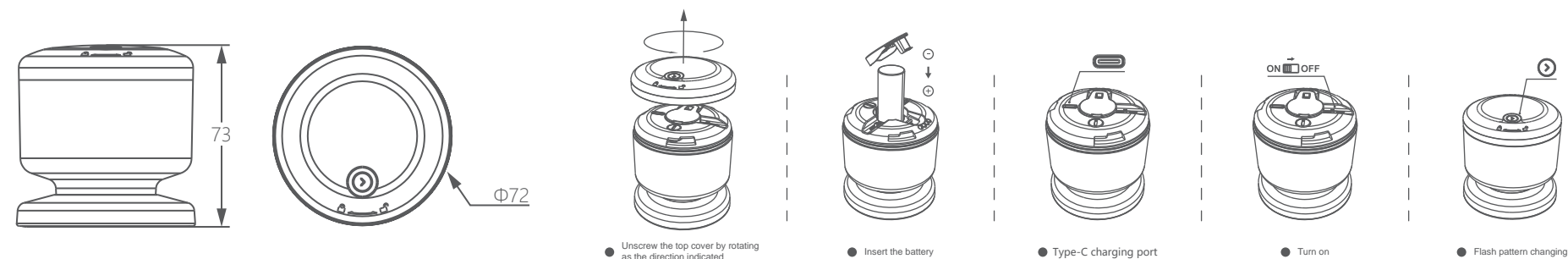
TD1710

Picture



Description	Amber Emergency Beacon
Part No.	FT01317
Input Voltage	5V DC
Current Draw	3.7V@1.7A
LED Qty.	12 x 0.5watt LED
Approvals	ECE R10 / SAE J845 Class 1
IP Rating	IP67
Operating Temp.	-40°C~ + 65°C
Flash Patterns	8 Flash Patterns
Visibility	360°
Lens Material	Polycarbonate
Housing Material	Polycarbonate
Connection	No wire
Warranty	2 years
Fixture Type	Magnet
Weight	0.26kg
Package Size	Inner box:85*85*85mm/Carton:350*350*265mm
PCS/CTN	48

Product Size



MINIBAR | TA71 Series

- IP67
- 10-30V
- ECE R10 / ECE R65 Class1 / CISPR 25 Class3 / SAE J845 Class1
- RED / AMBER / BLUE
- 40°C~ + 65°C

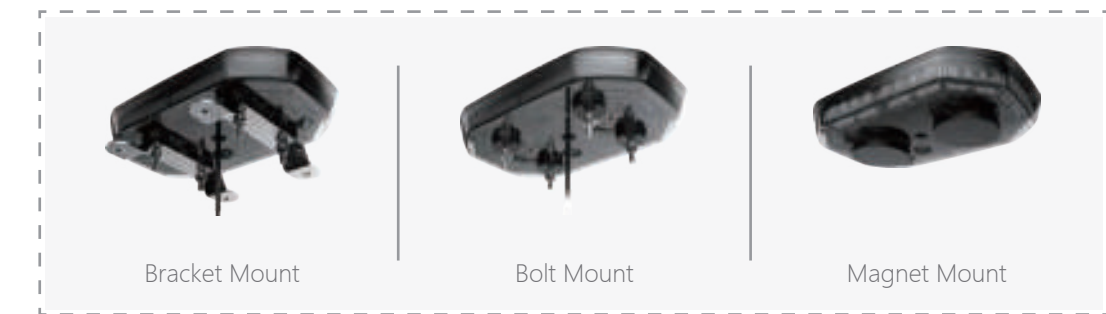


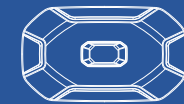
TECHNICAL SPECS OVERLEAF

FEATURES

- Virtually no RFI/EMI radiation
- Fully encapsulated for moisture, vibration and corrosion resistance
- High quality LED modules provide consistent warning performance
- Strong polycarbonate cover and lens are all finely molded with streamline appearance
- Innovative thermal design reduces the stress on LEDs during extended dwell time
- Flash patterns can be customized
- 360° light coverage with strong overall visual effect
- 2-year warranty

MOUNTING





MINIBAR | TA92 Series

TA7110-MiniBar

TA7111-MiniBar

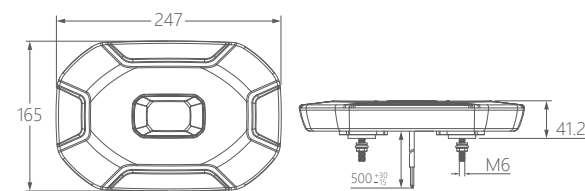
TA7112-MiniBar

Picture

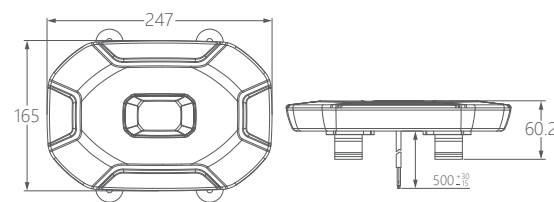


Description	Amber MiniBar Warning Lamp	Amber MiniBar Warning Lamp	Amber MiniBar Warning Lamp
Part No.	FT01099	FT01100	FT01101
Input Voltage	10~30V DC	10~30V DC	10~30V DC
Current Draw	12V@2.5A, 24V@1.3A	12V@2.5A, 24V@1.3A	12V@2.5A, 24V@1.3A
LED Qty.	40 x 0.5watt LED	40 x 0.5watt LED	40 x 0.5watt LED
Approvals	ECE R10/ECE R65 Class 1/SAE Class 1/Cispr 25 Class 3	ECE R10/ECE R65 Class 1/SAE Class 1/Cispr 25 Class 3	ECE R10/ECE R65 Class 1/SAE Class 1/Cispr 25 Class 3
IP Rating	IP67	IP67	IP67
Operating Temp.	-40°C~ + 65°C	-40°C~ + 65°C	-40°C~ + 65°C
Flash Patterns	12 Flash Patterns	12 Flash Patterns	12 Flash Patterns
Visibility	360°	360°	360°
Lens Material	Polycarbonate	Polycarbonate	Polycarbonate
Cover	Polycarbonate	Polycarbonate	Polycarbonate
Connection	500mm Cable	500mm Cable	2500mm Cable+Cigar Plug
Warranty	2 years	2 years	2 years
Fixture Type	Bolt	Bracket	Magnet
Weight	1.01 kg	0.77 kg	1.08 kg
Package Size	Inner box:300x200x48mm/Carton:500x315x215mm	Inner box:300x200x48mm/Carton:500x315x215mm	Inner box:300x200x48mm/Carton:500x315x215mm
PCS/CTN	10	10	10

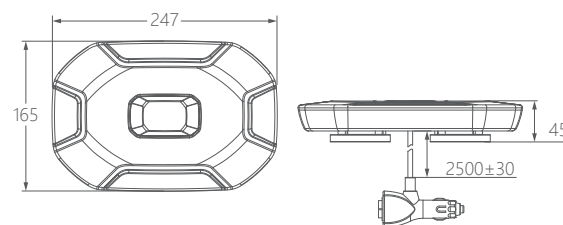
Product Size



Bolt Mount



Bracket Mount



Magnet Mount



IP67



10-30V



ECE R10 / ECE R65 Class2 / CISPR25 Class3 / SAE J845 Class1



RED / AMBER / BLUE



-40°C~ + 65°C



TECHNICAL SPECS OVERLEAF

FEATURES

- Virtually no RFI/EMI radiation
- Fully encapsulated for moisture, vibration and corrosion resistance
- High quality LED modules provide consistent warning performance
- Strong polycarbonate cover and lens are all finely molded with streamline appearance
- Innovative thermal design reduces the stress on LEDs during extended dwell time
- Flash patterns can be customized
- 360° light coverage with strong overall visual effect
- 2-year warranty

MOUNTING



TA9210-MiniBar

TA9211-MiniBar

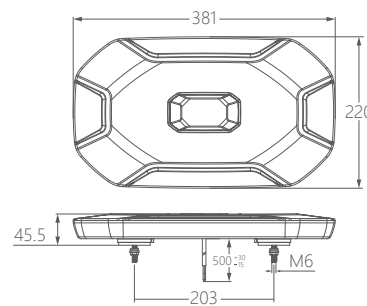
TA9212-MiniBar

Picture

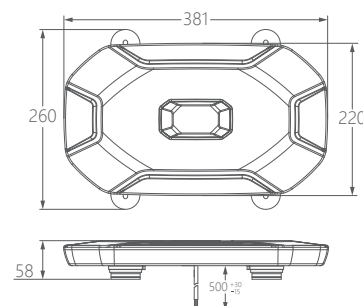


Description	Amber MiniBar Warning Lamp	Amber MiniBar Warning Lamp	Amber MiniBar Warning Lamp
Part No.	FT01023	FT01024	FT01026
Input Voltage	10~30V DC	10~30V DC	10~30V DC
Current Draw	12V@3.4A, 24V@1.7A	12V@3.4A, 24V@1.7A	12V@3.4A, 24V@1.7A
LED Qty.	56 x 0.5watt LED	56 x 0.5watt LED	56 x 0.5watt LED
Approvals	ECE R10/ECE R65 Class 1/SAE Class 1/Cispr 25 Class 3	ECE R10/ECE R65 Class 1/SAE Class 1/Cispr 25 Class 3	ECE R10/ECE R65 Class 1/SAE Class 1/Cispr 25 Class 3
IP Rating	IP67	IP67	IP67
Operating Temp.	-40°C~ + 65°C	-40°C~ + 65°C	-40°C~ + 65°C
Flash Patterns	12 Flash Patterns	12 Flash Patterns	12 Flash Patterns
Visibility	360°	360°	360°
Lens Material	Polycarbonate	Polycarbonate	Polycarbonate
Cover	Polycarbonate	Polycarbonate	Polycarbonate
Connection	500mm Cable	500mm Cable	2500mm Cable+Cigar Plug
Warranty	2 years	2 years	2 years
Fixture Type	Bolt	Bracket	Magnet
Weight	1.3 kg	1.73 kg	1.84 kg
Package Size	Inner box:395*265*56mm/ Carton:468*405*280mm	Inner box:395*265*56mm/ Carton:468*405*280mm	Inner box:395*265*56mm/ Carton:468*405*280mm
PCS/CTN	8	8	8

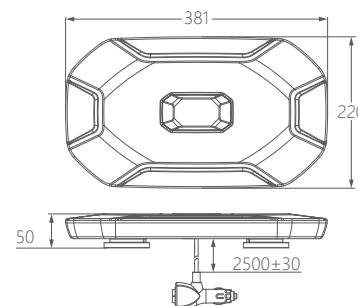
Product Size



Bolt Mount



Bracket Mount



Magnet Mount

TA9250-MiniBar

TA9251-MiniBar

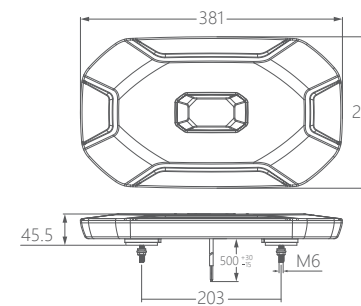
TA9252-MiniBar

Picture

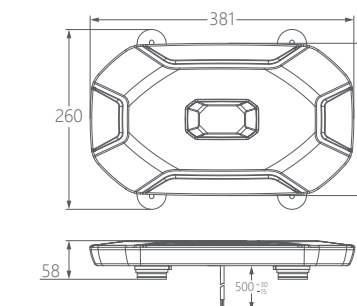


Description	Amber MiniBar Warning Lamp	Amber MiniBar Warning Lamp	Amber MiniBar Warning Lamp
Part No.	FT01073	FT01200	FT01270
Input Voltage	10~30V DC	10~30V DC	10~30V DC
Current Draw	12V@5.5A, 24V@2.8A	12V@5.5A, 24V@2.8A	12V@5.5A, 24V@2.8A
LED Qty.	56 x 1watt LED	56 x 1watt LED	56 x 1watt LED
Approvals	ECE R10/ECE R65 Class 2/SAE Class 1/Cispr 25 Class 3	ECE R10/ECE R65 Class 2/SAE Class 1/Cispr 25 Class 3	ECE R10/ECE R65 Class 2/SAE Class 1/Cispr 25 Class 3
IP Rating	IP67	IP67	IP67
Operating Temp.	-40°C~ + 65°C	-40°C~ + 65°C	-40°C~ + 65°C
Flash Patterns	13 Flash Patterns	13 Flash Patterns	13 Flash Patterns
Visibility	360°	360°	360°
Lens Material	Polycarbonate	Polycarbonate	Polycarbonate
Cover	Polycarbonate	Polycarbonate	Polycarbonate
Connection	500mm Cable	500mm Cable	2500mm Cable+Cigar Plug
Warranty	2 years	2 years	2 years
Fixture Type	Bolt	Bracket	Magnet
Weight	1.3 kg	1.73 kg	1.84 kg
Package Size	Inner box:395*265*56mm/ Carton:468*405*280mm	Inner box:395*265*56mm/ Carton:468*405*280mm	Inner box:395*265*56mm/ Carton:468*405*280mm
PCS/CTN	8	8	8

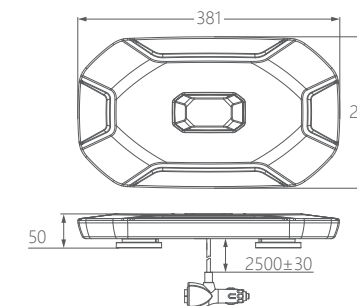
Product Size



Bolt Mount



Bracket Mount



Magnet Mount



MINIBAR | TA94 Series



IP67



10-30V



ECE R10 / ECE R65 Class1 /
CISPR 25 Class3 / SAE J845 Class1



RED / AMBER / BLUE



-40°C ~ + 65°C



TECHNICAL SPECS OVERLEAF

FEATURES

- Virtually no RFI/EMI radiation
- Fully encapsulated for moisture, vibration and corrosion resistance
- High quality LED modules provide consistent warning performance
- Strong polycarbonate cover and lens are all finely molded with streamline appearance
- Innovative thermal design reduces the stress on LEDs during extended dwell time
- Flash patterns can be customized
- 360° light coverage with strong overall visual effect
- 2-year warranty

MOUNTING



Bracket Mount



Bolt Mount



Magnet Mount



TA9410-MiniBar

TA9411-MiniBar

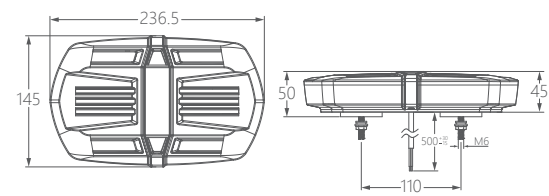
TA9412-MiniBar

Picture

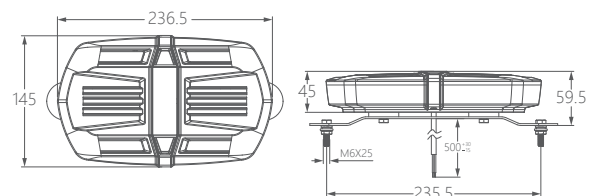


Description	Amber MiniBar Warning Lamp	Amber MiniBar Warning Lamp	Amber MiniBar Warning Lamp
Part No.	FT01019	FT01022	FT01020
Input Voltage	10~30V DC	10~30V DC	10~30V DC
Current Draw	12V @ 1.9A, 24V@0.95A	12V @ 1.9A, 24V@0.95A	12V @ 1.9A, 24V@0.95A
LED Qty.	32 x 0.5watt LED	32 x 0.5watt LED	32 x 0.5watt LED
Approvals	ECE R10/ECE R65 Class 1/SAE Class 1/Cispr 25 Class 3	ECE R10/ECE R65 Class 1/SAE Class 1/Cispr 25 Class 3	ECE R10/ECE R65 Class 1/SAE Class 1/Cispr 25 Class 3
IP Rating	IP67	IP67	IP67
Operating Temp.	-40°C~ + 65°C	-40°C~ + 65°C	-40°C~ + 65°C
Flash Patterns	12 Flash Patterns	12 Flash Patterns	12 Flash Patterns
Visibility	360°	360°	360°
Lens Material	Polycarbonate	Polycarbonate	Polycarbonate
Cover	Polycarbonate	Polycarbonate	Polycarbonate
Connection	500mm Cable	500mm Cable	2500mm Cable+Cigar Plug
Warranty	2 years	2 years	2 years
Fixture Type	Two bolt fixing	Bracket with Two bolt fixing	Magnet
Weight	0.935 kg	0.947 kg	0.92 kg
Package Size	Inner box:290x150x58mm/Carton:600x300x165mm	Inner box:290x150x58mm/Carton:600x300x165mm	Inner box:290x150x58mm/Carton:600x300x165mm
PCS/CTN	10	10	10

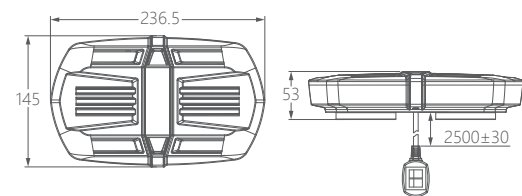
Product Size



Bolt Mount



Bracket Mount



Magnet Mount

MINI BAR | TD31 Series



IP67



10-30V



ECE R10/ECE R65 Class 2/SAE Class 1 /CISPR 25 Class 3



RED/AMBER/BUE



-40°C~ + 65°C



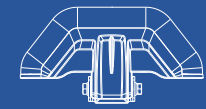
TECHNICAL SPECS OVERLEAF

FEATURES

- Virtually no RF/EMI radiation
- Fully encapsulated for moisture, vibration and corrosion resistance
- 27.5mm ultra-thin body with low air resistance
- Innovative PC cover and PC lens all-in-one design
- High quality COB provides extreme brightness and constant diffuse lighting output
- Flash patterns can be customized
- 2 years warranty

MOUNTING





TD3110

TD3111

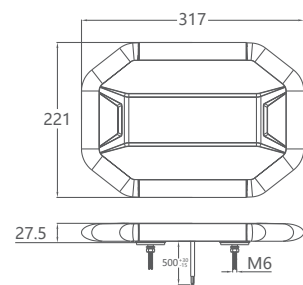
TD3112

Picture

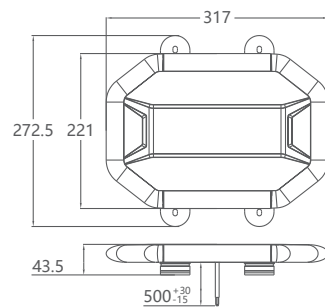


Description	Amber Mini Bar	Amber Mini Bar	Amber Mini Bar
Part No.	FT01360	FT01361	FT01362
Input Voltage	10-30V DC	10-30V DC	10-30V DC
Current Draw	12V@4.58A, 24V@2.29A	12V@4.58A, 24V@2.29A	12V@4.58A, 24V@2.29A
LED Qty.	2x7W/COB+4x5W/COB+2x8W/COB	2x7W/COB+4x5W/COB+2x8W/COB	2x7W/COB+4x5W/COB+2x8W/COB
Approvals	ECE R10/ECE R65 Class 2/SAE Class 1/CISPR 25 Class 3	ECE R10/ECE R65 Class 2/SAE Class 1/CISPR 25 Class 3	ECE R10/ECE R65 Class 2/SAE Class 1/CISPR 25 Class 3
IP Rating	IP67	IP67	IP67
Operating Temp.	-40°C~ + 65°C	-40°C~ + 65°C	-40°C~ + 65°C
Flash Patterns	13 Flash Patterns	13 Flash Patterns	13 Flash Patterns
Visibility	360°	360°	360°
Lens Material	Polycarbonate	Polycarbonate	Polycarbonate
Housing Material	Polycarbonate	Polycarbonate	Polycarbonate
Connection	500mm Cable	500mm Cable	2500mm Cable+Cigar Plug
Warranty	2 years	2 years	2 years
Fixture Type	Bolt	Bracket	Magnet
Weight	1.72 kg	2.15 kg	2.08 kg
Package Size	Inner box:395*265*56mm/Carton:468*405*280mm	Inner box:395*265*56mm/Carton:468*405*280mm	Inner box:395*265*56mm/Carton:468*405*280mm
PCS/CTN	8	8	8

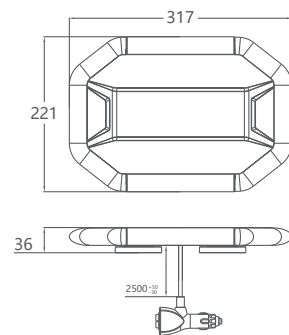
Product Size



Bolt Mount



Bracket Mount



Magnet Mount

EMERGENCY LAMP

TD35 Series



IP67



10-30V



ECE R10/ECE R65 HTA1



RED/AMBER/BLUE

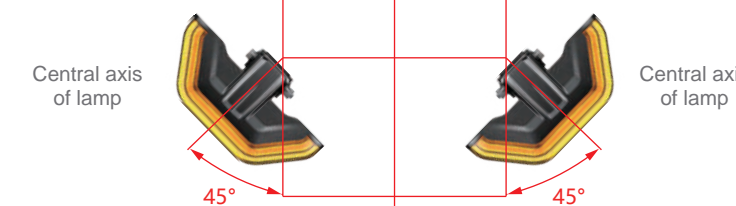
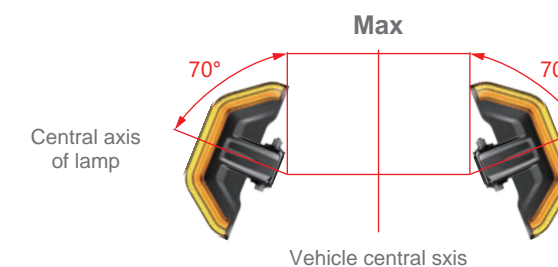
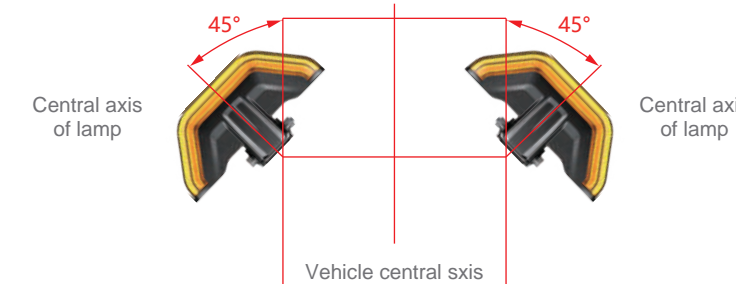
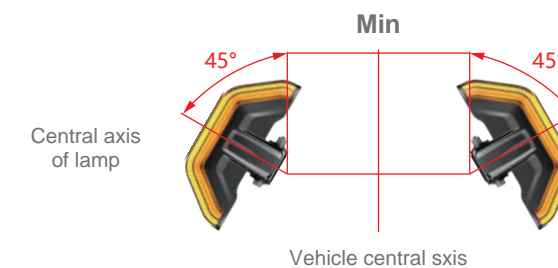


-40°C~ + 65°C



Category HT
270° warning coverage
(One pair of lights at the front or rear of vehicle)

Category T
360° warning coverage
(Four units mounted on vehicle)



FEATURES

- Super slim with diffused light source
- Fully encapsulated for moisture, vibration and corrosion resistance.
- High-intensity COB to provide consistent warning performance.
- Strong polycarbonate cover and lens
- 2-year warranty

TD3510

TD3520

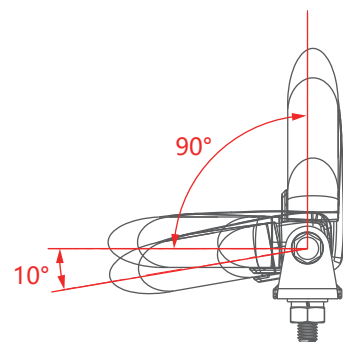
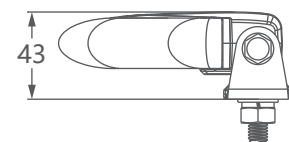
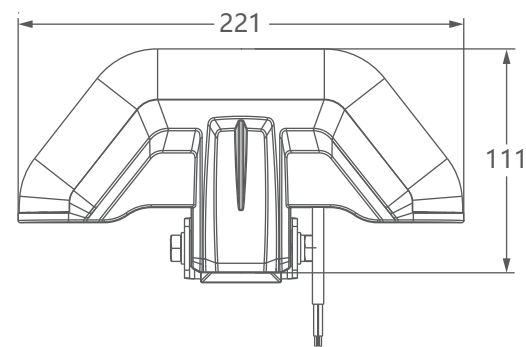
TD3530

Picture

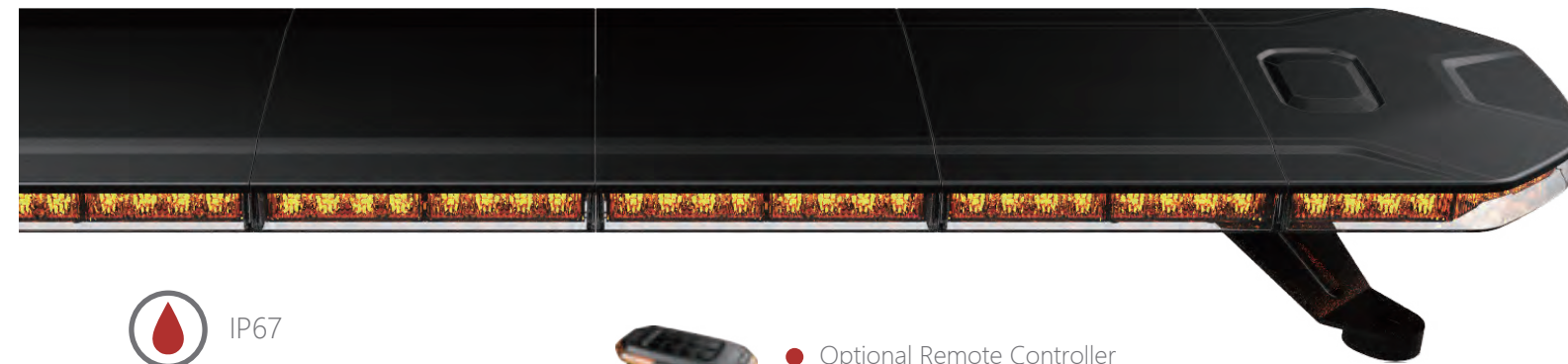


Description	Amber Half Bar	Red Half Bar	Blue Half Bar
Part No.	FT01360	FT01361	FT01362
Input Voltage	10-30V DC	10-30V DC	10-30V DC
Current Draw	12V@2.53A ,24V@1.26A	12V@2.53A ,24V@1.26A	12V@2.53A ,24V@1.26A
LED Qty.	2x7W/COB+1x4W/COB	2x7W/COB+1x4W/COB	2x7W/COB+1x4W/COB
Approvals	ECE R10/ECE R65 HTA 1	ECE R10/ECE R65 HTA 1	ECE R10/ECE R65 HTA 1
IP Rating	IP67	IP67	IP67
Operating Temp.	-40°C~ + 65°C	-40°C~ + 65°C	-40°C~ + 65°C
Flash Patterns	12 Flash Patterns	12 Flash Patterns	12 Flash Patterns
Visibility	360°	360°	360°
Lens Material	Polycarbonate	Polycarbonate	Polycarbonate
Housing Material	Die-casting Aluminium	Die-casting Aluminium	Die-casting Aluminium
Connection	500mm Cable	500mm Cable	500mm Cable
Warranty	2 years	2 years	2 years
Fixture Type	Bolt	Bolt	Bolt
Weight	0.57 kg	0.57 kg	0.57 kg
Package Size	Inner box:290*150*58mm/Carton:600*300*165mm	Inner box:290*150*58mm/Carton:600*300*165mm	Inner box:290*150*58mm/Carton:600*300*165mm
PCS/CTN	10	10	10

Product Size



LIGHTBAR | TA91 Series



IP67



10-30V



ECE R10 / ECE R65 Class2 / CISPR25 Class3 / SAE J845 Class1



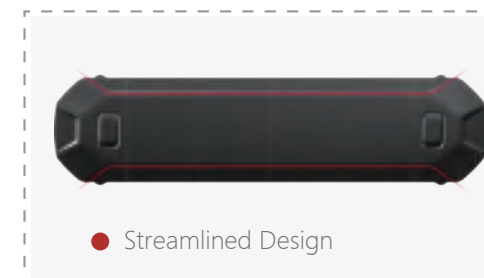
RED / AMBER / BLUE



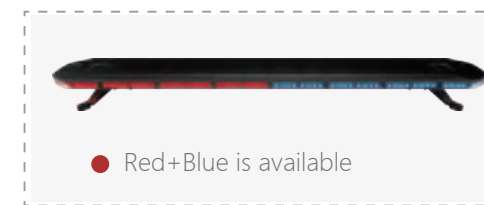
-40°C~ + 65°C



Optional Remote Controller



Streamlined Design



Red+Blue is available

TA9145(610mm)



TA9155(762mm)



TA9165(915mm)



TA9175(1067mm)



TA9185(1220mm)



TA9195(1372mm)



TA91A5(1524mm)



TA91B5(1677mm)



TA91C5(1829mm)



TA91D5(1982mm)



TA91E5(2134mm)



FEATURES

- Virtually no RFI/EMI radiation
- Fully encapsulated for moisture, vibration and corrosion resistance
- Strong polycarbonate cover and lens are all finely molded with streamline appearance
- High quality LED modules to provide consistent warning performance
- Innovative thermal design reduces the stress on LEDs during extended dwell time
- Flash patterns can be customized
- 360° light coverage with strong overall visual effects
- 2-year warranty



TA9145

TA9155

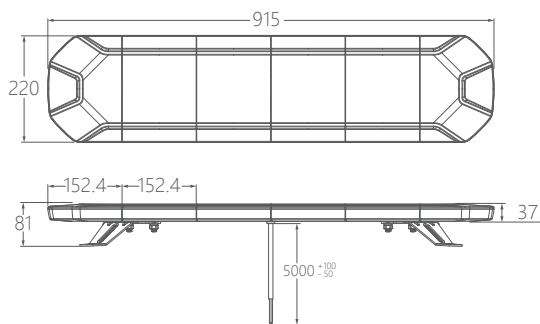
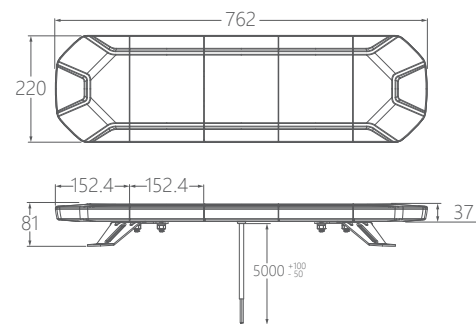
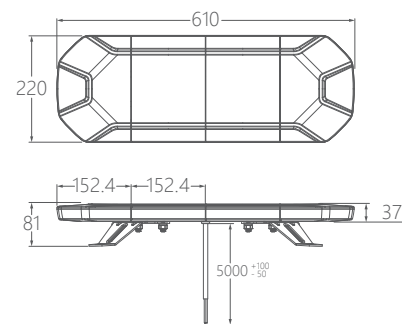
TA9165

Picture



Description	LED LIGHTBAR	LED LIGHTBAR	LED LIGHTBAR
Part No.	FT01180	FT01181	FT01182
Input Voltage	10~30V	10~30V	10~30V
Current Draw	12V@5.50A , 24V@2.75A	12V@6.50A, 24V@3.30A	12V@8.50A, 24V @4.30A
LED Qty.	24x3watt LED + 48x1watt LED	24x3watt LED + 64x1watt LED	24x3watt LED + 80x1watt LED
Approvals	ECE R10 / ECE R65 Class2 / CISPR25 Class3 / SAE J845 Class1	ECE R10 / ECE R65 Class2 / CISPR25 Class3 / SAE J845 Class1	ECE R10 / ECE R65 Class2 / CISPR25 Class3 / SAE J845 Class1
IP Rating	IP67	IP67	IP67
Operating Temp.	-40 C ~ + 65 C	-40 C ~ + 65 C	-40 C ~ + 65 C
Flash Patterns	13 Flash Patterns	13 Flash Patterns	13 Flash Patterns
Visibility	360°	360°	360°
Lens Material	polycarbonate	polycarbonate	polycarbonate
Housing Material	aluminium	aluminium	aluminium
Connection	5000mm Cable	5000mm Cable	5000mm Cable
Warranty	2 years	2 years	2 years
Fixture Type	bracket	bracket	bracket
Weight	4.01 kgs	4.76 kgs	5.52 kgs
Package Size	830*300*60mm	1010*300*60mm	1180*300*60mm
PCS/CTN	1	1	1

Product Size



TA9175

TA9185

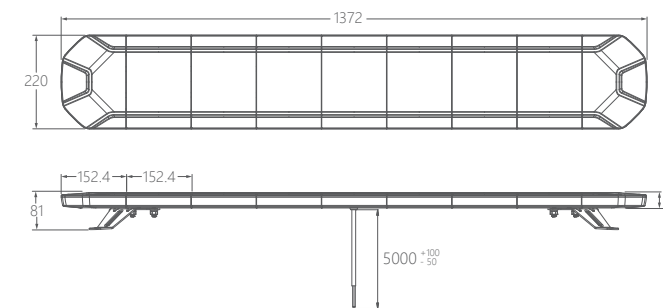
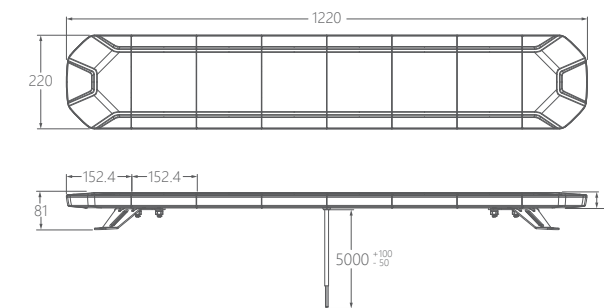
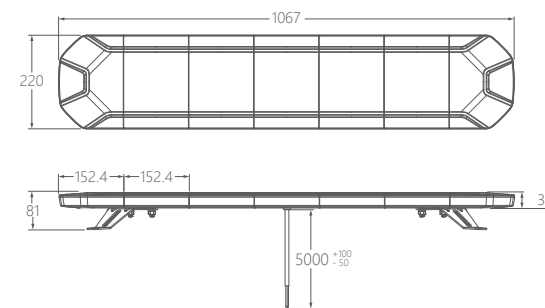
TA9195

Picture



Description	LED LIGHTBAR	LED LIGHTBAR	LED LIGHTBAR
Part No.	FT01183	FT01037	FT01184
Input Voltage	10~30V	10~30V	10~30V
Current Draw	12V@11.00A, 24V@5.50A	12V@12.50A, 24V@6.25A	12V@14.00A, 24V@7.00A
LED Qty.	24x3watt LED + 96x1watt LED	24x3watt LED + 112x1watt LED	24x3watt LED + 128x1watt LED
Approvals	ECE R10 / ECE R65 Class2 / CISPR25 Class3 / SAE J845 Class1	ECE R10 / ECE R65 Class2 / CISPR25 Class3 / SAE J845 Class1	ECE R10 / ECE R65 Class2 / CISPR25 Class3 / SAE J845 Class1
IP Rating	IP67	IP67	IP67
Operating Temp.	-40 C ~ + 65 C	-40 C ~ + 65 C	-40 C ~ + 65 C
Flash Patterns	13 Flash Patterns	13 Flash Patterns	13 Flash Patterns
Visibility	360°	360°	360°
Lens Material	polycarbonate	polycarbonate	polycarbonate
Housing Material	aluminium	aluminium	aluminium
Connection	5000mm Cable	5000mm Cable	5000mm Cable
Warranty	2 years	2 years	2 years
Fixture Type	bracket	bracket	bracket
Weight	6.25 kgs	6.98 kgs	7.56 kgs
Package Size	1330*300*60mm	1490*300*60mm	1640*300*60mm
PCS/CTN	1	1	1

Product Size



TA91A5

TA91B5

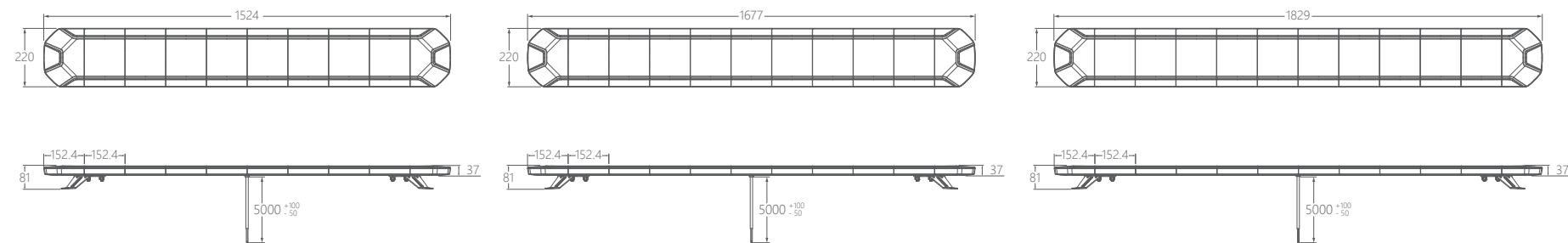
TA91C5

Picture



Description	LED LIGHTBAR	LED LIGHTBAR	LED LIGHTBAR
Part No.	FT01185	FT01186	FT01187
Input Voltage	10~30V	10~30V	10~30V
Current Draw	12V@15.50A, 24V@7.75A	12V@15.70A, 24V@7.85A	12V@16.00A, 24V@8.00A
LED Qty.	24x3watt LED + 144x1watt LED	24x3watt LED + 160x1watt LED	24x3watt LED + 176x1watt LED
Approvals	ECE R10 / ECE R65 Class2 / CISPR25 Class3 / SAE J845 Class1	ECE R10 / ECE R65 Class2 / CISPR25 Class3 / SAE J845 Class1	ECE R10 / ECE R65 Class2 / CISPR25 Class3 / SAE J845 Class1
IP Rating	IP67	IP67	IP67
Operating Temp.	-40 C ~ + 65 C	-40 C ~ + 65 C	-40 C ~ + 65 C
Flash Patterns	13 Flash Patterns	13 Flash Patterns	13 Flash Patterns
Visibility	360°	360°	360°
Lens Material	polycarbonate	polycarbonate	polycarbonate
Housing Material	aluminium	aluminium	aluminium
Connection	5000mm Cable	5000mm Cable	5000mm Cable
Warranty	2 years	2 years	2 years
Fixture Type	bracket	bracket	bracket
Weight	8.14 kgs	8.91 kgs	9.66 kgs
Package Size	1800*300*60mm	1940*300*60mm	2100*300*60mm
PCS/CTN	1	1	1

Product Size



TA91D5

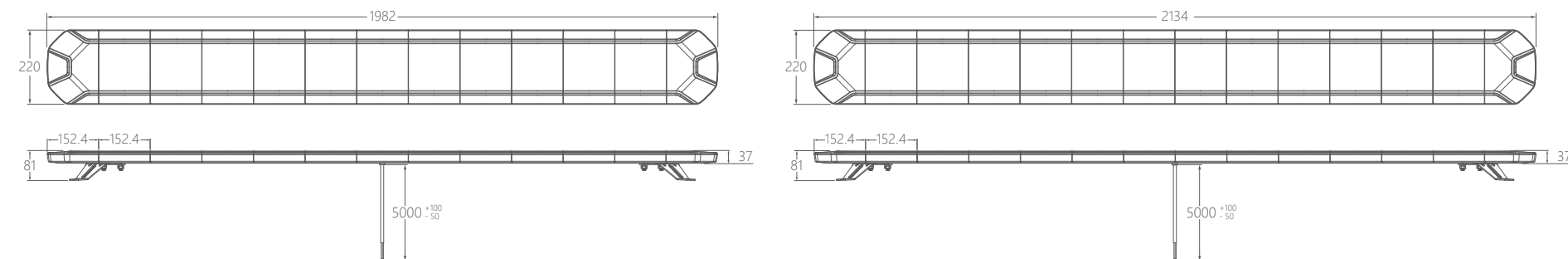
TA91E5

Picture









Description	LED LIGHTBAR	LED LIGHTBAR
Part No.	FT01188	FT01189
Input Voltage	10~30V	10~30V
Current Draw	12V@16.20A, 24V@8.20A	12V@16.5A, 24V@8.30A
LED Qty.	24x3watt LED + 192x1watt LED	24x3watt LED + 208x1watt LED
Approvals	ECE R10 / ECE R65 Class2 / CISPR25 Class3 / SAE J845 Class1	ECE R10 / ECE R65 Class2 / CISPR25 Class3 / SAE J845 Class1
IP Rating	IP67	IP67
Operating Temp.	-40 C ~ + 65 C	-40 C ~ + 65 C
Flash Patterns	13 Flash Patterns	13 Flash Patterns
Visibility	360°	360°
Lens Material	polycarbonate	polycarbonate
Housing Material	aluminium	aluminium
Connection	5000mm Cable	5000mm Cable
Warranty	2 years	2 years
Fixture Type	bracket	bracket
Weight	10.42 kgs	11.22 kgs
Package Size	2240*300*60mm	2400x300x60mm
PCS/CTN	1	1

Product Size





-  PATENT NO. : ZL 2019 2 1501396.2
-  IP67
-  10-30V
-  ECE R10 / ECE R65 Class2 / CISPR25 Class3 / CE / ROHS
SAE J845 Class1
-  RED / AMBER / BLUE
-  -40°C~ + 65°C



- Plug and play module



- Ultra-thin, low air resistance



- Red+Blue is available

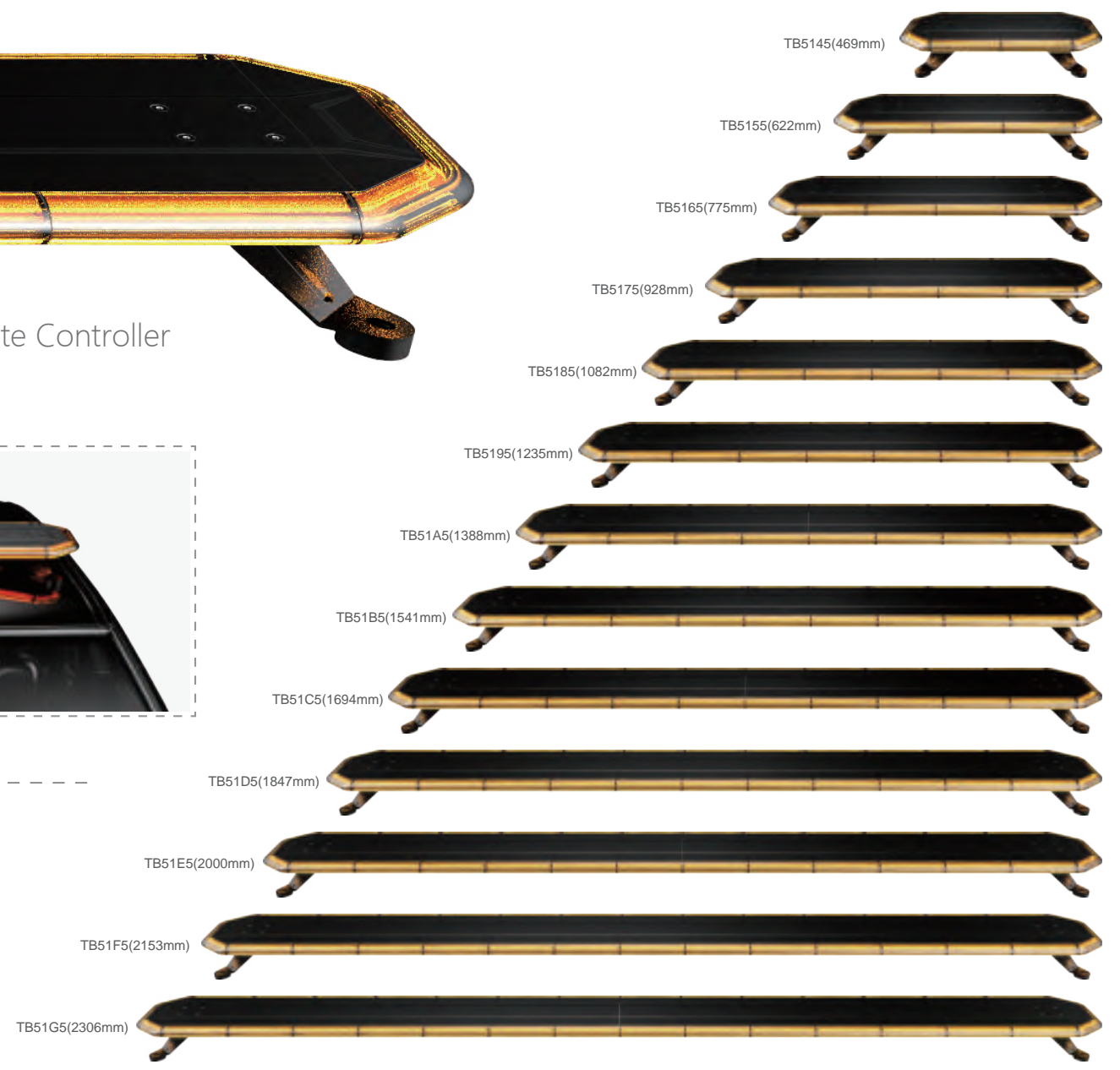


● Optional Remote Controller



FEATURES

- Virtually no RFI/EMI radiation
- Fully encapsulated for moisture, vibration and corrosion resistance
- 25.5mm ultra-thin body with low air resistance
- Innovative PC cover and PC lens all-in-one design
- High quality COB ensure consistant diffuse lighting output
- Plug and play module for easy maintenance
- Flash patterns can be customized
- 2-year warranty



TB5145

TB5155

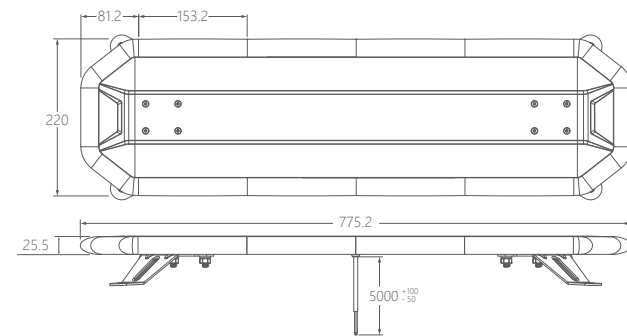
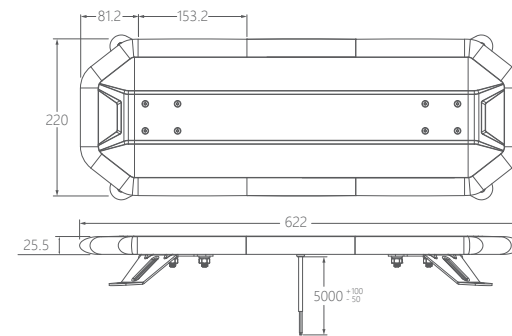
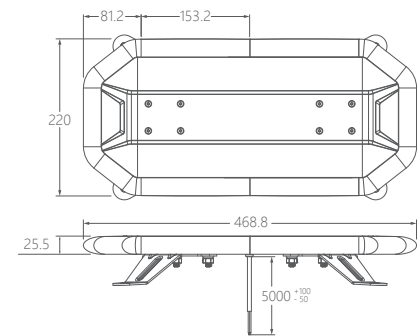
TB5165

Picture



Description	LED LIGHTBAR	LED LIGHTBAR	LED LIGHTBAR
Part No.	FT01152	FT01153	FT01154
Input Voltage	10~30V	10~30V	10~30V
Current Draw	12V@8.50A, 24V@4.25A	12V@ 10.50A, 24V@5.00A	12V@ 12.00A, 24V@5.5AA
LED Qty.	4x8.0W/COB+4x4W/COB+2x15W/ COB	6x8.0W/COB+4x4W/COB+2x15W/ COB	8x8.0W/COB+4x4W/COB+2x15W/ COB
Approvals	ECE R65 Class2 / ECE R10 / CISPR25 Class3 / SAE J845 Class1 / CE / ROHS	ECE R65 Class2 / ECE R10 / CISPR25 Class3 / SAE J845 Class1 / CE / ROHS	ECE R65 Class2 / ECE R10 / CISPR25 Class3 / SAE J845 Class1 / CE / ROHS
IP Rating	IP67	IP67	IP67
Operating Temp.	-40 C ~ + 65 C	-40 C ~ + 65 C	-40 C ~ + 65 C
Flash Patterns	13 Flash Patterns	13 Flash Patterns	13 Flash Patterns
Visibility	360°	360°	360°
Lens Material	polycarbonate	polycarbonate	polycarbonate
Housing Material	aluminium	aluminium	aluminium
Connection	5000mm Cable	5000mm Cable	5000mm Cable
Warranty	2 years	2 years	2 years
Fixture Type	bracket	bracket	bracket
Weight	3.59 kg	4.43 kg	5.34 kg
Package Size	Inner box: 720*270*55mm / Outer box: 730X280X240mm	Inner box: 870x270x55mm / Outer box: 890X280X240mm	Inner box: 1020x270x55mm / Outer box: 1040*280*180mm
PCS/CTN	4	4	3

Product Size



TB5175

TB5185

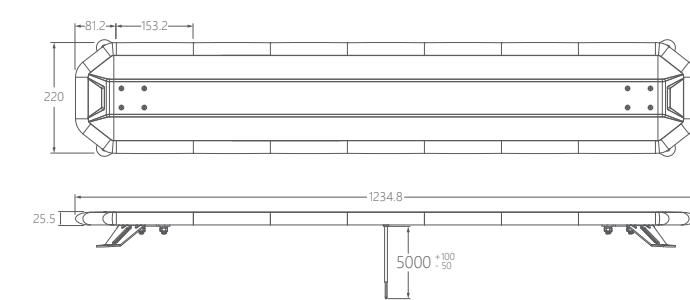
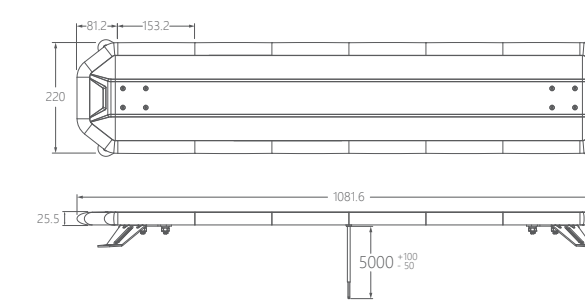
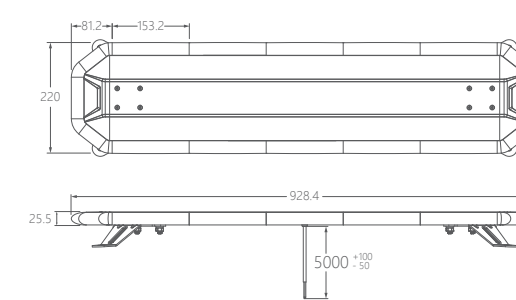
TB5195

Picture



Description	LED LIGHTBAR	LED LIGHTBAR	LED LIGHTBAR
Part No.	FT01155	FT01156	FT01054
Input Voltage	10~30V	10~30V	10~30V
Current Draw	12V@ 13.5.0A, 24V@6.00A	12V@ 14.50A, 24V@6.50A	12V@ 15.00A, 24V@7.00A
LED Qty.	10x7.0W/COB+4x3.5W/COB+2x15W/ COB	12x6.7W/COB+4x3.5W/COB+2x15W/ COB	14x6.5W/COB+4x3W/COB+2x15W/ COB
Approvals	ECE R65 Class2 / ECE R10 / CISPR25 Class3 / SAE J845 Class1 / CE / ROHS	ECE R65 Class2 / ECE R10 / CISPR25 Class3 / SAE J845 Class1 / CE / ROHS	ECE R65 Class2 / ECE R10 / CISPR25 Class3 / SAE J845 Class1 / CE / ROHS
IP Rating	IP67	IP67	IP67
Operating Temp.	-40 C ~ + 65 C	-40 C ~ + 65 C	-40 C ~ + 65 C
Flash Patterns	13 Flash Patterns	13 Flash Patterns	13 Flash Patterns
Visibility	360°	360°	360°
Lens Material	polycarbonate	polycarbonate	polycarbonate
Housing Material	aluminium	aluminium	aluminium
Connection	5000mm Cable	5000mm Cable	5000mm Cable
Warranty	2 years	2 years	2 years
Fixture Type	bracket	bracket	bracket
Weight	6.08 kg	6.75 kg	7.37 kg
Package Size	1180*300*55mm	1340*300*55mm	1500*300*55mm
PCS/CTN	1	1	1

Product Size



TB51A5

TB51B5

TB51C5

TB51D5

TB51E5

Picture



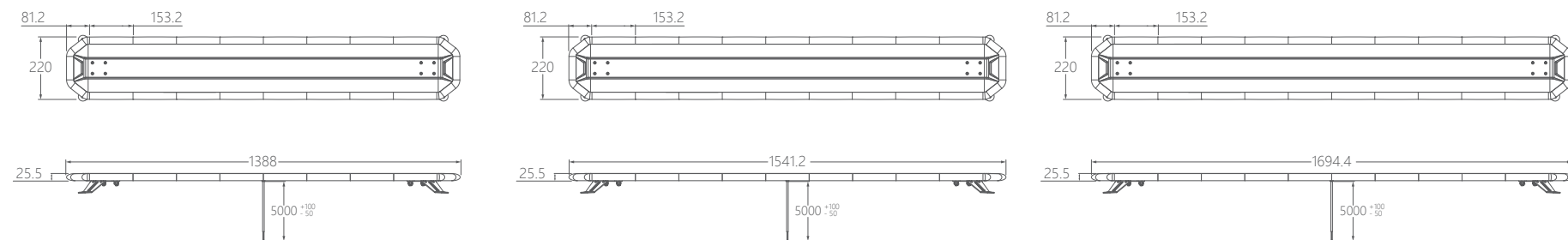
Picture



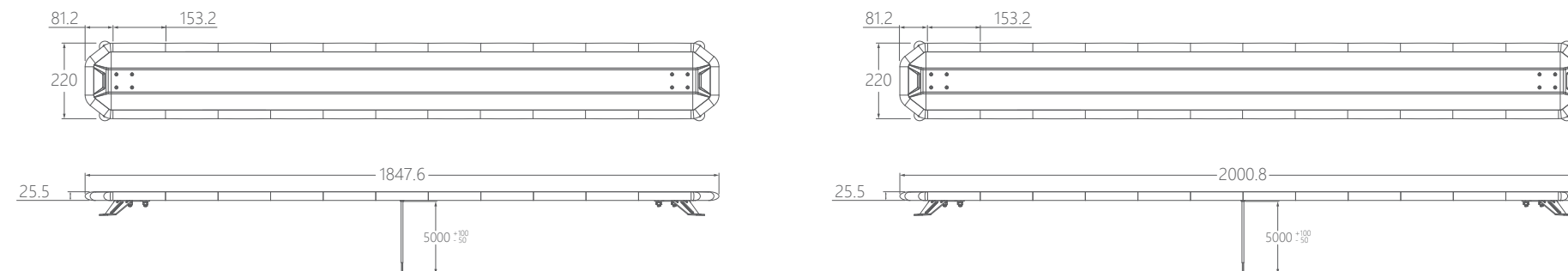
Description	LED LIGHTBAR	LED LIGHTBAR	LED LIGHTBAR
Part No.	FT01157	FT01158	FT01159
Input Voltage	10~30V	10~30V	10~30V
Current Draw	12V@ 16.00A, 24V@7.30A	12V@ 16.50A, 24V@7.50A	12V@16.80A, 24V@7.80A
LED Qty.	16X6.0W/COB+4x3W/COB+2x15W/ COB	18x5.5W/COB+4x2.7W/COB+2x15W/ COB	20x5.2W/COB+4x2.5W/COB+2x15W/ COB
Approvals	ECE R65 Class2 / ECE R10 / CISPR25 Class3 / SAE J845 Class1 / CE / ROHS	ECE R65 Class2 / ECE R10 / CISPR25 Class3 / SAE J845 Class1 / CE / ROHS	ECE R65 Class2 / ECE R10 / CISPR25 Class3 / SAE J845 Class1 / CE / ROHS
IP Rating	IP67	IP67	IP67
Operating Temp.	-40 C ~ + 65 C	-40 C ~ + 65 C	-40 C ~ + 65 C
Flash Patterns	13 Flash Patterns	13 Flash Patterns	13 Flash Patterns
Visibility	360°	360°	360°
Lens Material	polycarbonate	polycarbonate	polycarbonate
Housing Material	aluminium	aluminium	aluminium
Connection	5000mm Cable	5000mm Cable	5000mm Cable
Warranty	2 years	2 years	2 years
Fixture Type	bracket	bracket	bracket
Weight	8.03 kg	8.77 kg	9.56 kg
Package Size	1640*300*60mm	1800*300*60mm	1940*300*60mm
PCS/CTN	1	1	1

Description	LED LIGHTBAR	LED LIGHTBAR
Part No.	FT01160	FT01161
Input Voltage	10~30V	10~30V
Current Draw	12V@17.00A, 24V@8.20A	12V@17.30A, 24V@8.30A
LED Qty.	22x5.0W/COB+4x2.5W/COB+2x15W/ COB	24X4.5W/COB+4x2.2W/COB+2x15W/ COB
Approvals	ECE R65 Class2 / ECE R10 / CISPR25 Class3 / SAE J845 Class1 / CE / ROHS	ECE R65 Class2 / ECE R10 / CISPR25 Class3 / SAE J845 Class1 / CE / ROHS
IP Rating	IP67	IP67
Operating Temp.	-40 C ~ + 65 C	-40 C ~ + 65 C
Flash Patterns	13 Flash Patterns	13 Flash Patterns
Visibility	360°	360°
Lens Material	polycarbonate	polycarbonate
Housing Material	aluminium	aluminium
Connection	5000mm Cable	5000mm Cable
Warranty	2 years	2 years
Fixture Type	bracket	bracket
Weight	10.34 kg	11.08 kg
Package Size	2100*300*60mm	2240*300*60mm
PCS/CTN	1	1

Product Size



Product Size



TB51F5

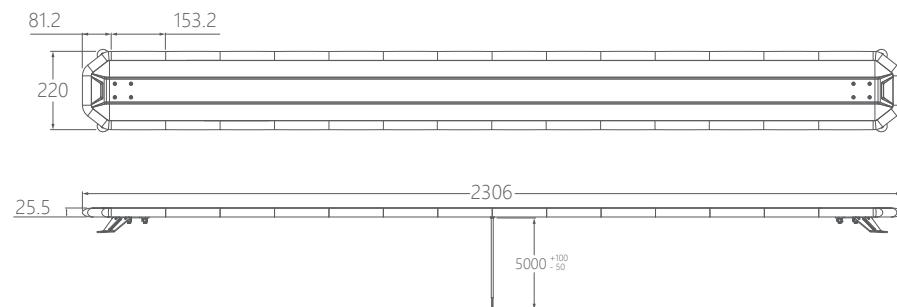
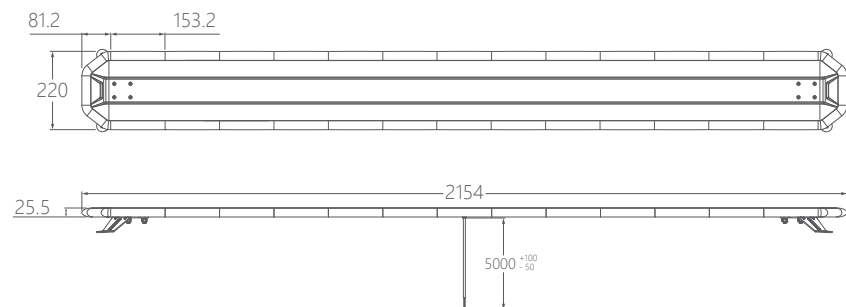
TB51G5

Picture



Description	LED LIGHTBAR	LED LIGHTBAR
Part No.	FT01162	FT01163
Input Voltage	10~30V	10~30V
Current Draw	12V@17.50A, 24V@8.40A	12V@18.00A, 24V@8.50A
LED Qty.	26x4.2W/COB+4x2.0W/COB+2x15W/ COB	28x4W/COB+4x2.0W/COB+2x15W/ COB
Approvals	ECE R65 Class2 / ECE R10 / CISPR25 Class3 / SAE J845 Class1 / CE / ROHS	ECE R65 Class2 / ECE R10 / CISPR25 Class3 / SAE J845 Class1 / CE / ROHS
IP Rating	IP67	IP67
Operating Temp.	-40 C ~ + 65 C	-40 C ~ + 65 C
Flash Patterns	13 Flash Patterns	13 Flash Patterns
Visibility	360°	360°
Lens Material	polycarbonate	polycarbonate
Housing Material	aluminium	aluminium
Connection	5000mm Cable	5000mm Cable
Warranty	2 years	2 years
Fixture Type	bracket	bracket
Weight	11.93 kg	12.92 kg
Package Size	2400x300x60mm	2560*300*60mm
PCS/CTN	1	1

Product Size



LIGHTBAR | TE18 Series



- IP67
- 10-30V
- ECE R10/ECE R65 Class 2/ CISPR25 Class 3/SAE J845 Class 1
- Red/Amber/Blue
- 40°C ~ + 65°C



FEATURES

- Super slim and narrow
- Virtually no RFI/EMI radiation.
- Fully encapsulated for moisture, vibration and corrosion resistance.
- High-intensity LEDs to provide consistent warning performance.
- Strong polycarbonate cover and lens are all finely molded with streamline appearance.
- Innovative thermal design reduces the stress on LEDs during extended dwell time.
- 13 Flash patterns and can be customized.
- 360°light coverage with strong overall visual effects.
- 2-year warranty

TE1825

TE1835

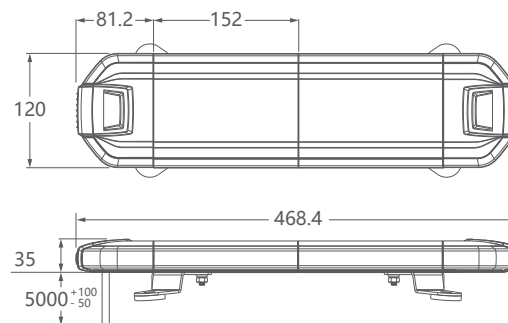
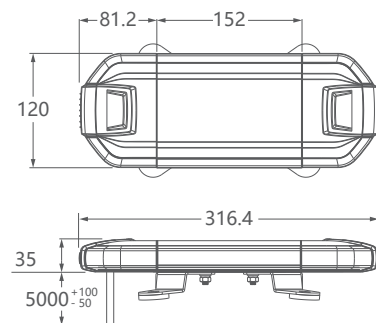
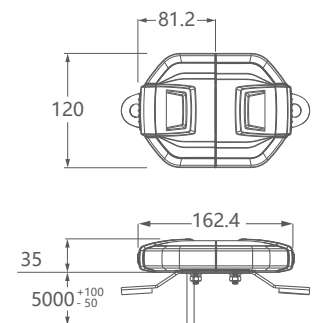
TE1845

Picture



Description	LED Lightbar	LED Lightbar	LED Lightbar
Part No.	FT01412	FT01413	FT01414
Input Voltage	10-30V DC	10-30V DC	10-30V DC
Current Draw	12V@5.83A,24@2.92A	12V@6.25A,24@3.13A	12V@6.25A,24@3.13A
LED Qty.	72x1watt LED	112x1watt LED	152x1watt LED
Approvals	ECE R10/ECE R65 Class 2/CISPR25 Class 3/SAE J845 Class 1	ECE R10/ECE R65 Class 2/CISPR25 Class 3/SAE J845 Class 1	ECE R10/ECE R65 Class 2/CISPR25 Class 3/SAE J845 Class 1
IP Rating	IP67	IP67	IP67
Operating Temp.	-40°C~ + 65°C	-40°C~ + 65°C	-40°C~ + 65°C
Flash Patterns	13 Flash Patterns	13 Flash Patterns	13 Flash Patterns
Visibility	360°	360°	360°
Lens Material	Polycarbonate	Polycarbonate	Polycarbonate
Housing Material	Polycarbonate	Polycarbonate	Polycarbonate
Connection	5000mm Cable	5000mm Cable	5000mm Cable
Warranty	2 years	2 years	2 years
Fixture Type	Bracket	Bracket	Bracket
Weight	1.72 kg	2.15 kg	2.08 kg
Package Size	Inner box:375*150*50mm/Carton:465*390*265mm	Inner box:480*150*50mm/Carton:495*465*265mm	Inner box:632*150*50mm/Carton:647*315*265mm
PCS/CTN	15	15	10

Product Size



TE1855

TE1865

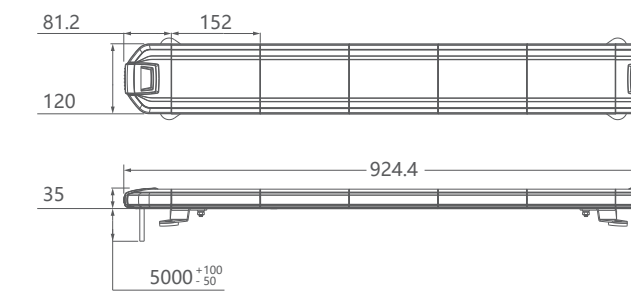
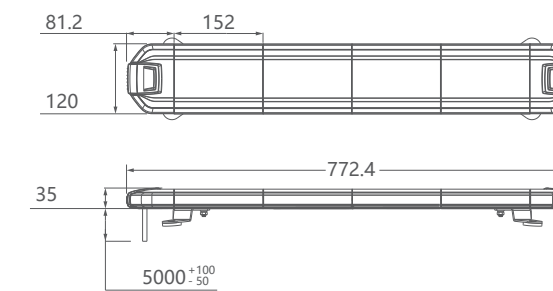
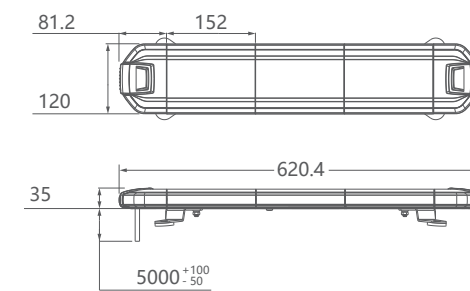
TE1875

Picture



Description	LED Lightbar	LED Lightbar	LED Lightbar
Part No.	FT01415	FT01416	FT01417
Input Voltage	10-30V DC	10-30V DC	10-30V DC
Current Draw	12V@6.75A,24@3.38A	12V@7.17A,24@3.58A	12V@7.66A,24@3.83A
LED Qty.	192x1watt LED	232x1watt LED	272x1watt LED
Approvals	ECE R10/ECE R65 Class 2/CISPR25 Class 3/SAE J845 Class 1	ECE R10/ECE R65 Class 2/CISPR25 Class 3/SAE J845 Class 1	ECE R10/ECE R65 Class 2/CISPR25 Class 3/SAE J845 Class 1
IP Rating	IP67	IP67	IP67
Operating Temp.	-40°C~ + 65°C	-40°C~ + 65°C	-40°C~ + 65°C
Flash Patterns	13 Flash Patterns	13 Flash Patterns	13 Flash Patterns
Visibility	360°	360°	360°
Lens Material	Polycarbonate	Polycarbonate	Polycarbonate
Housing Material	Polycarbonate	Polycarbonate	Polycarbonate
Connection	5000mm Cable	5000mm Cable	5000mm Cable
Warranty	2 years	2 years	2 years
Fixture Type	Bracket	Bracket	Bracket
Weight	2.41 kg	2.75 kg	3.09 kg
Package Size	Inner box:784*150*50mm/Carton:799*315*265mm	Inner box:936*150*50mm	Inner box:1088*150*50mm
PCS/CTN	10	1	1

Product Size



TE1885

TE1895

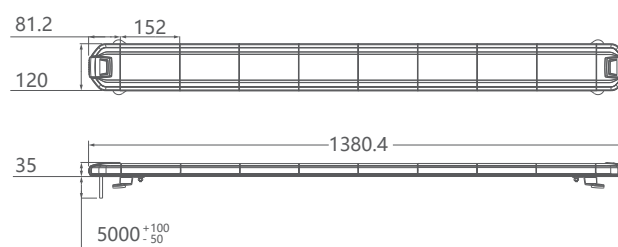
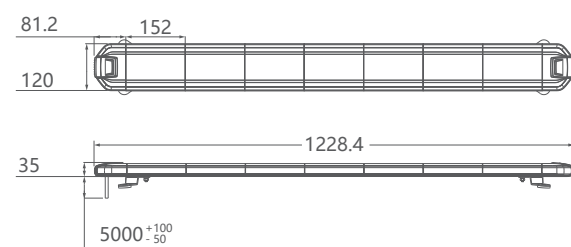
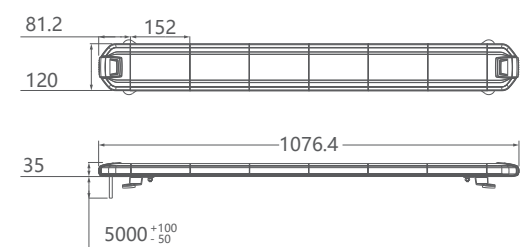
TE18A5

Picture



Description	LED Lightbar	LED Lightbar	LED Lightbar
Part No.	FT01418	FT01419	FT01420
Input Voltage	10-30V DC	10-30V DC	10-30V DC
Current Draw	12V@8.17A,24@4.08A	12V@8.58A,24@4.3A	12V@9.08A,24@4.54A
LED Qty.	312x1watt LED	352x1watt LED	392x1watt LED
Approvals	ECE R10/ECE R65 Class 2/CISPR25 Class 3/SAE J845 Class 1	ECE R10/ECE R65 Class 2/CISPR25 Class 3/SAE J845 Class 1	ECE R10/ECE R65 Class 2/CISPR25 Class 3/SAE J845 Class 1
IP Rating	IP67	IP67	IP67
Operating Temp.	-40°C~ + 65°C	-40°C~ + 65°C	-40°C~ + 65°C
Flash Patterns	13 Flash Patterns	13 Flash Patterns	13 Flash Patterns
Visibility	360°	360°	360°
Lens Material	Polycarbonate	Polycarbonate	Polycarbonate
Housing Material	Polycarbonate	Polycarbonate	Polycarbonate
Connection	5000mm Cable	5000mm Cable	5000mm Cable
Warranty	2 years	2 years	2 years
Fixture Type	Bracket	Bracket	Bracket
Weight	3.44 kg	3.78 kg	4.12 kg
Package Size	Inner box:1240*150*50mm	Inner box:1393*150*50mm	Inner box:1545*150*50mm
PCS/CTN	1	1	1

Product Size



TE18B5

TE18C5

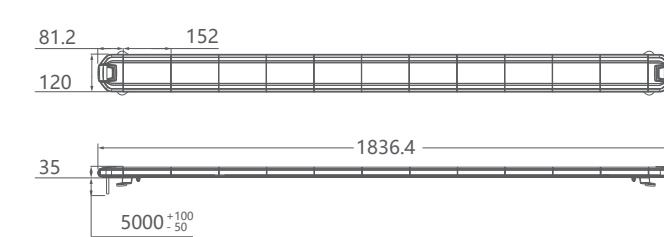
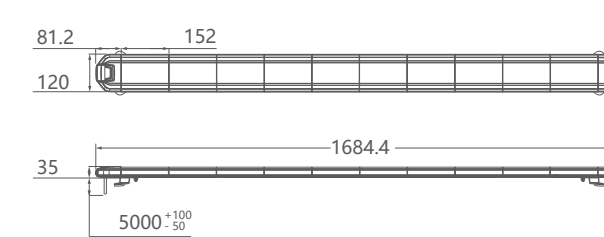
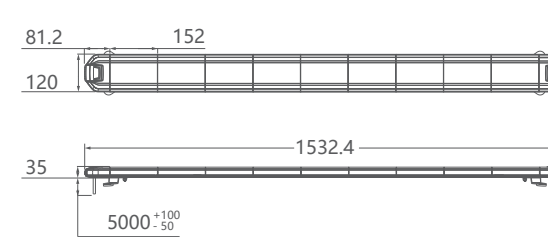
TE18D5

Picture



Description	LED Lightbar	LED Lightbar	LED Lightbar
Part No.	FT01421	FT01422	FT01423
Input Voltage	10-30V DC	10-30V DC	10-30V DC
Current Draw	12V@9.58A,24@4.79A	12V@10A,24@5A	12V@10.5A,24@5.25A
LED Qty.	432x1watt LED	472x1watt LED	512x1watt LED
Approvals	ECE R10/ECE R65 Class 2/CISPR25 Class 3/SAE J845 Class 1	ECE R10/ECE R65 Class 2/CISPR25 Class 3/SAE J845 Class 1	ECE R10/ECE R65 Class 2/CISPR25 Class 3/SAE J845 Class 1
IP Rating	IP67	IP67	IP67
Operating Temp.	-40°C~ + 65°C	-40°C~ + 65°C	-40°C~ + 65°C
Flash Patterns	13 Flash Patterns	13 Flash Patterns	13 Flash Patterns
Visibility	360°	360°	360°
Lens Material	Polycarbonate	Polycarbonate	Polycarbonate
Housing Material	Polycarbonate	Polycarbonate	Polycarbonate
Connection	5000mm Cable	5000mm Cable	5000mm Cable
Warranty	2 years	2 years	2 years
Fixture Type	Bracket	Bracket	Bracket
Weight	4.46 kg	4.81 kg	5.15 kg
Package Size	Inner box:1697*150*50mm	Inner box:1850*150*50mm	Inner box:2002*150*50mm
PCS/CTN	1	1	1

Product Size



TE18E5

TE18F5

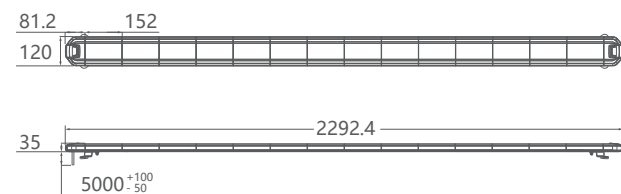
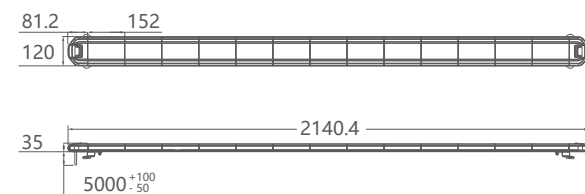
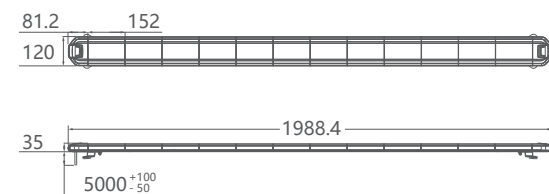
TE18G5

Picture



Description	LED Lightbar	LED Lightbar	LED Lightbar
Part No.	FT01424	FT01425	FT01426
Input Voltage	10-30V DC	10-30V DC	10-30V DC
Current Draw	12V@11A,24@5.5A	12V@11.4A,24@5.7A	12V@11.9A,24@5.95A
LED Qty.	552x1watt LED	592x1watt LED	632x1watt LED
Approvals	ECE R10/ECE R65 Class 2/CISPR25 Class 3/SAE J845 Class 1	ECE R10/ECE R65 Class 2/CISPR25 Class 3/SAE J845 Class 1	ECE R10/ECE R65 Class 2/CISPR25 Class 3/SAE J845 Class 1
IP Rating	IP67	IP67	IP67
Operating Temp.	-40°C~ + 65°C	-40°C~ + 65°C	-40°C~ + 65°C
Flash Patterns	13 Flash Patterns	13 Flash Patterns	13 Flash Patterns
Visibility	360°	360°	360°
Lens Material	Polycarbonate	Polycarbonate	Polycarbonate
Housing Material	Polycarbonate	Polycarbonate	Polycarbonate
Connection	5000mm Cable	5000mm Cable	5000mm Cable
Warranty	2 years	2 years	2 years
Fixture Type	Bracket	Bracket	Bracket
Weight	5.49 kg	5.83 kg	6.17 kg
Package Size	Inner box:2154*150*50mm	Inner box:2306*150*50mm	Inner box:2458*150*50mm
PCS/CTN	1	1	1

Product Size



LIGHTBAR WITH TEXT DISPLAY | TC83 Series



IP67



10-30V

ECE R10 / ECE R65 Class2 /
CISPR25 Class3 / SAE J845 Class1

RED / AMBER / BLUE



-40°C~ + 65°C



FEATURES

- Excellent design and assembly satisfy IP67
- Strong and durable aluminum structure ensure long lifetime
- Foldable text display with great supporting arms withstand strong wind and vibration
- High quality and ECE R65 approved lighthead provide fantastic warning performance
- Text display contents and flash patterns can be customized
- 2-year warranty



TC8310

TC8320

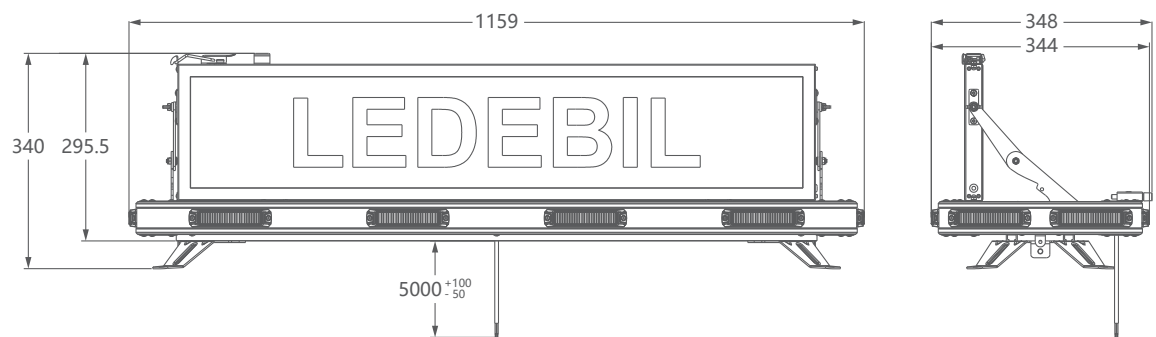
TC8330

Picture



Description	Amber Text Lightbar	Red Text Lightbar	Blue Text Lightbar
Part No.	FT01442	FT04030	FT05090
Input Voltage	10-30V DC	10-30V DC	10-30V DC
Current Draw	12V@7.74A ,24V@3.85A	12V@7.74A ,24V@3.85A	12V@7.74A ,24V@3.85A
LED Qty.	72X1watt LED	72X1watt LED	72X1watt LED
Approvals	ECE R10/ECE R65 Class 2/CISPR25 Class 3/SAE J845 Class 1	ECE R10/ECE R65 Class 2/CISPR25 Class 3/SAE J845 Class 1	ECE R10/ECE R65 Class 2/CISPR25 Class 3/SAE J845 Class 1
IP Rating	IP67	IP67	IP67
Operating Temp.	-40°C~ + 65°C	-40°C~ + 65°C	-40°C~ + 65°C
Flash Patterns	25 Flash Patterns	25 Flash Patterns	25 Flash Patterns
Visibility	360°	360°	360°
Lens Material	Polycarbonate	Polycarbonate	Polycarbonate
Housing Material	Extrusion Aluminium	Extrusion Aluminium	Extrusion Aluminium
Connection	5000mm Cable	5000mm Cable	5000mm Cable
Warranty	2 years	2 years	2 years
Fixture Type	Bracket	Bracket	Bracket
Weight	12.55 kg	12.55 kg	12.55 kg
Package Size	Inner box:1370*365*95mm	Inner box:1370*365*95mm	Inner box:1370*365*95mm
PCS/CTN	1	1	1

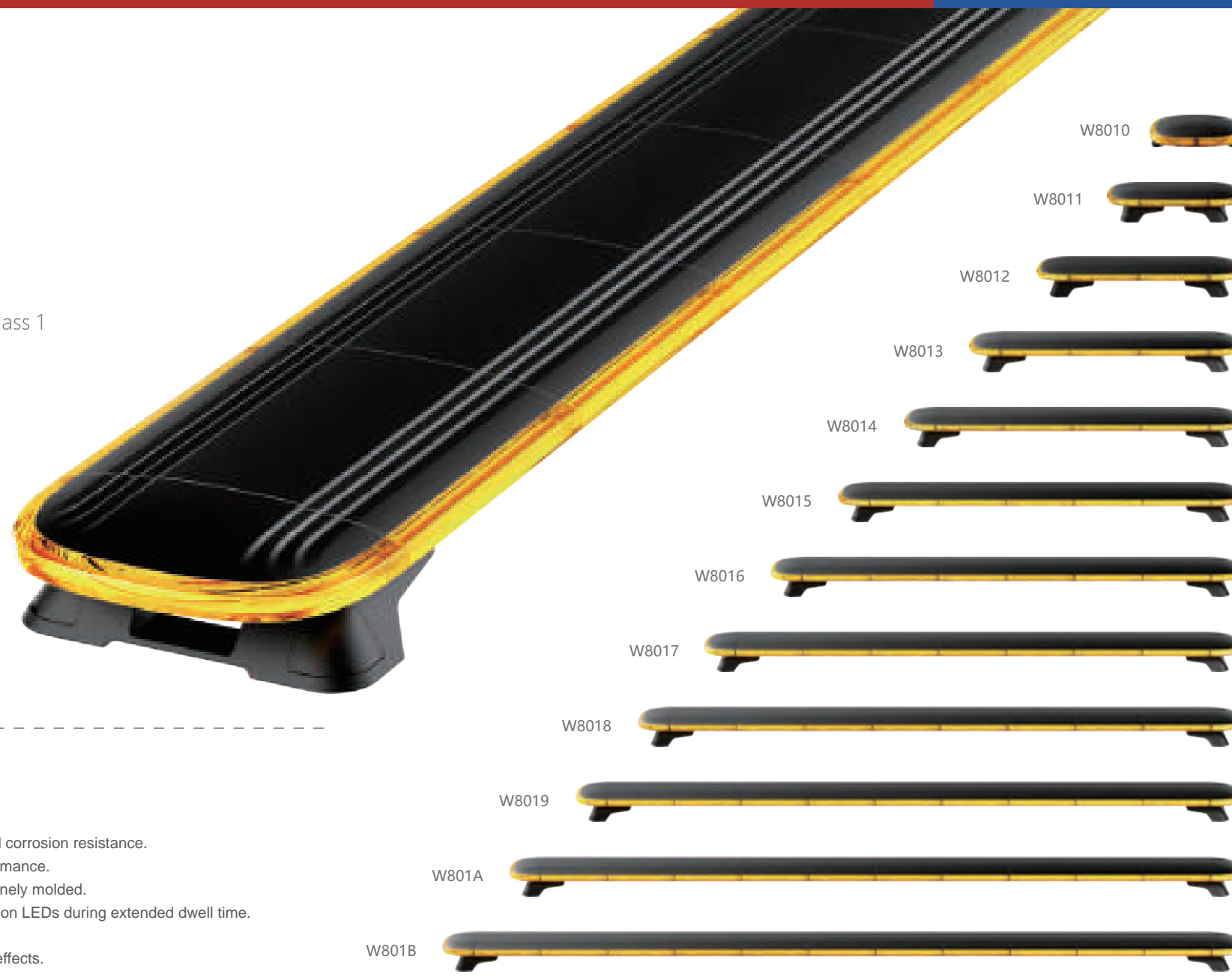
Product Size



LIGHTBAR | W801 Series



- IP67
- 10-30V
- ECE R10/ECE R65 Class 2/
CISPR25 Class 3/SAE J845 Class 1
- Red/Amber/Blue
- 40°C~ + 65°C



FEATURES

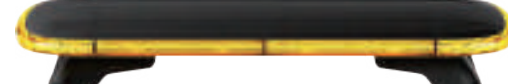
- Slim and streamline design
- Virtually no RFI/EMI radiation.
- Fully encapsulated for moisture, vibration and corrosion resistance.
- LED arrays support consistent warning performance.
- Strong polycarbonate cover and lens are all finely molded.
- Innovative thermal design reduces the stress on LEDs during extended dwell time.
- Flash patterns and can be customized.
- 360°light coverage with strong overall visual effects.
- 2 years warranty.

W8010

W8011

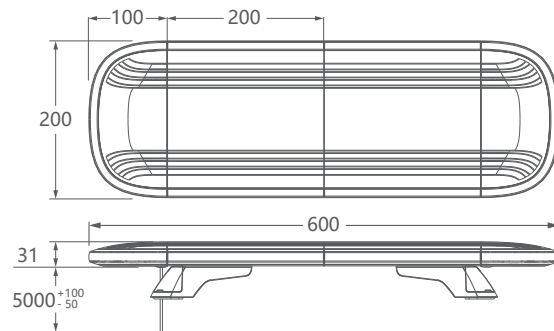
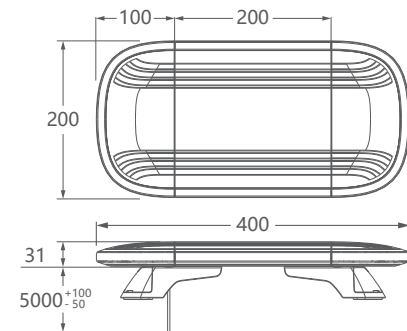
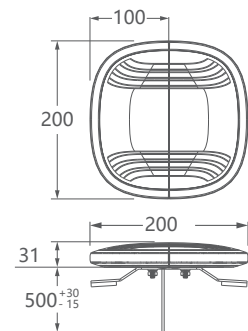
W8012

Picture



Description	LED Lightbar	LED Lightbar	LED Lightbar
Part No.	FT01605	FT01617	FT01618
Input Voltage	10-30V DC	10-30V DC	10-30V DC
Current Draw	12V@4.5A 24V@2.3A	12V@5.5A 24V@2.7A	12V@6.5A 24V@3.2A
LED Qty.	80X0.5watt LED	152X0.5watt LED	224X0.5watt LED
Approvals	ECE R10/ECE R65 Class 2/CISPR25 Class 3/SAE J845 Class 1	ECE R10/ECE R65 Class 2/CISPR25 Class 3/SAE J845 Class 1	ECE R10/ECE R65 Class 2/CISPR25 Class 3/SAE J845 Class 1
IP Rating	IP67	IP67	IP67
Operating Temp.	-40°C~ + 65°C	-40°C~ + 65°C	-40°C~ + 65°C
Flash Patterns	13 Flash Patterns	13 Flash Patterns	13 Flash Patterns
Visibility	360°	360°	360°
Lens Material	Polycarbonate	Polycarbonate	Polycarbonate
Housing Material	Polycarbonate	Polycarbonate	Polycarbonate
Connection	500mm Cable	5000mm Cable	5000mm Cable
Warranty	2 years	2 years	2 years
Fixture Type	Bracket	Bracket	Bracket
Weight	1.42 kg	2.97 kg	3.92 kg
Package Size	Inner box:278*210*50mm/Carton:520*293*235mm	Inner box:650*266*55mm/Carton:670*350*280mm	Inner box:850*266*55mm/Carton:870*350*280mm
PCS/CTN	10	6	6

Product Size



W8013

W8014

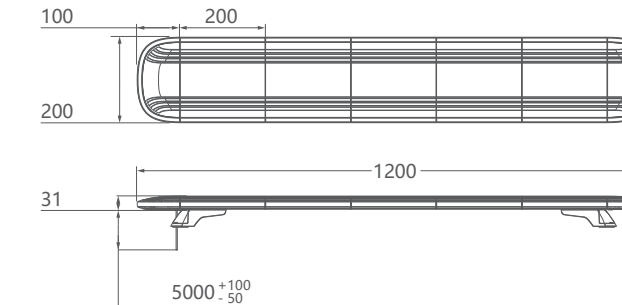
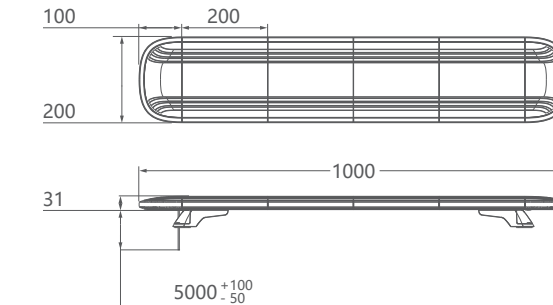
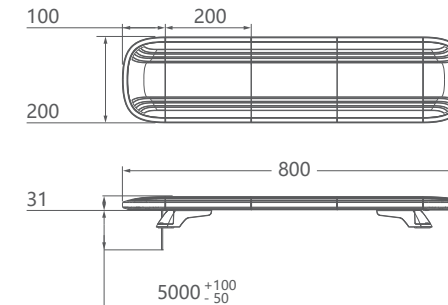
W8015

Picture



Description	LED Lightbar	LED Lightbar	LED Lightbar
Part No.	FT01619	FT01606	FT01620
Input Voltage	10-30V DC	10-30V DC	10-30V DC
Current Draw	12V@7.1A 24V@3.5A	12V@8.0A 24V@4.0A	12V@8.3A 24V@4.2A
LED Qty.	296X0.5watt LED	368X0.5watt LED	440X0.5watt LED
Approvals	ECE R10/ECE R65 Class 2/CISPR25 Class 3/SAE J845 Class 1	ECE R10/ECE R65 Class 2/CISPR25 Class 3/SAE J845 Class 1	ECE R10/ECE R65 Class 2/CISPR25 Class 3/SAE J845 Class 1
IP Rating	IP67	IP67	IP67
Operating Temp.	-40°C~ + 65°C	-40°C~ + 65°C	-40°C~ + 65°C
Flash Patterns	13 Flash Patterns	13 Flash Patterns	13 Flash Patterns
Visibility	360°	360°	360°
Lens Material	Polycarbonate	Polycarbonate	Polycarbonate
Housing Material	Polycarbonate	Polycarbonate	Polycarbonate
Connection	5000mm Cable	5000mm Cable	5000mm Cable
Warranty	2 years	2 years	2 years
Fixture Type	Bracket	Bracket	Bracket
Weight	4.87 kg	5.82 kg	6.77 kg
Package Size	Inner box:1050*266*55mm	Inner box:1250*266*55mm	Inner box:1450*266*55mm
PCS/CTN	1	1	1

Product Size



W8016

W8017

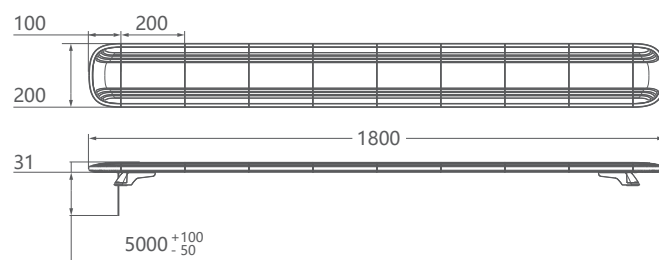
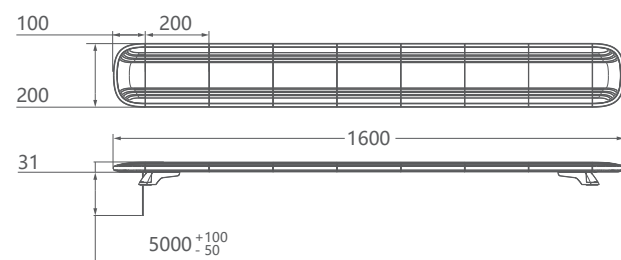
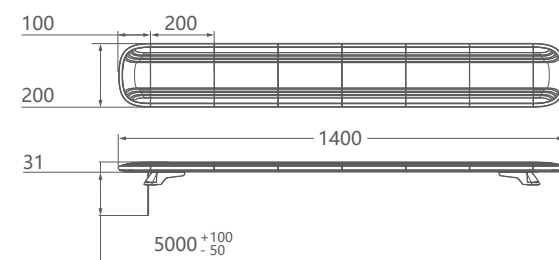
W8018

Picture



Description	LED Lightbar	LED Lightbar	LED Lightbar
Part No.	FT01621	FT01622	FT01623
Input Voltage	10-30V DC	10-30V DC	10-30V DC
Current Draw	12V@8.5A 24V@4.3A	12V@9.0A 24V@4.5A	12V@9.5A 24V@4.7A
LED Qty.	512X0.5watt LED	584X0.5watt LED	656X0.5watt LED
Approvals	ECE R10/ECE R65 Class 2/CISPR25 Class 3/SAE J845 Class 1	ECE R10/ECE R65 Class 2/CISPR25 Class 3/SAE J845 Class 1	ECE R10/ECE R65 Class 2/CISPR25 Class 3/SAE J845 Class 1
IP Rating	IP67	IP67	IP67
Operating Temp.	-40°C~ + 65°C	-40°C~ + 65°C	-40°C~ + 65°C
Flash Patterns	13 Flash Patterns	13 Flash Patterns	13 Flash Patterns
Visibility	360°	360°	360°
Lens Material	Polycarbonate	Polycarbonate	Polycarbonate
Housing Material	Polycarbonate	Polycarbonate	Polycarbonate
Connection	5000mm Cable	5000mm Cable	5000mm Cable
Warranty	2 years	2 years	2 years
Fixture Type	Bracket	Bracket	Bracket
Weight	7.72 kg	8.67 kg	9.62 kg
Package Size	Inner box:1640*266*55mm	Inner box:1850*266*55mm	Inner box:2050*266*55mm
PCS/CTN	1	1	1

Product Size



W8019

W801A

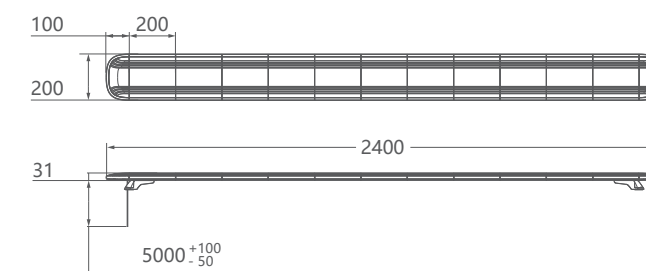
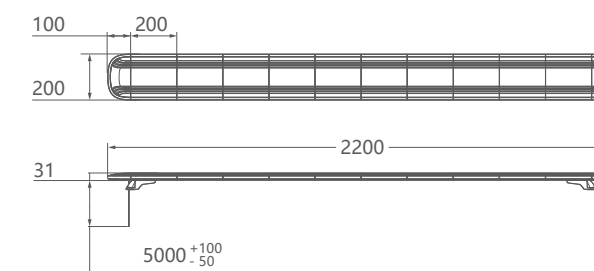
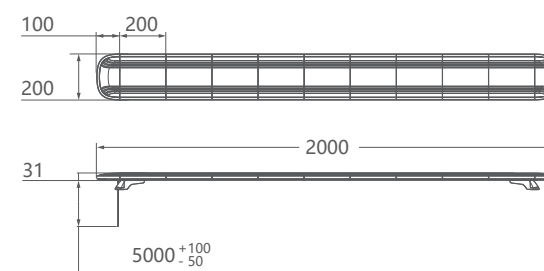
W801B

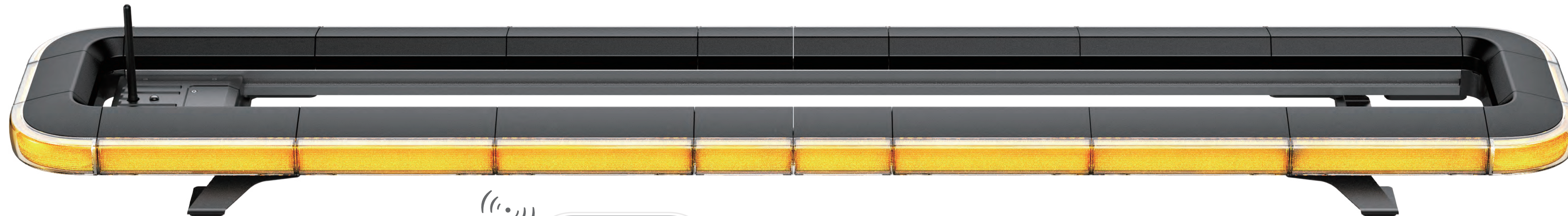
Picture



Description	LED Lightbar	LED Lightbar	LED Lightbar
Part No.	FT01624	FT01625	FT01626
Input Voltage	10-30V DC	10-30V DC	10-30V DC
Current Draw	12V@10.8A 24V@5.5A	12V@11.5A 24V@5.7A	12V@12.5A 24V@6.2A
LED Qty.	728X0.5watt LED	800X0.5watt LED	872X0.5watt LED
Approvals	ECE R10/ECE R65 Class 2/CISPR25 Class 3/SAE J845 Class 1	ECE R10/ECE R65 Class 2/CISPR25 Class 3/SAE J845 Class 1	ECE R10/ECE R65 Class 2/CISPR25 Class 3/SAE J845 Class 1
IP Rating	IP67	IP67	IP67
Operating Temp.	-40°C~ + 65°C	-40°C~ + 65°C	-40°C~ + 65°C
Flash Patterns	13 Flash Patterns	13 Flash Patterns	13 Flash Patterns
Visibility	360°	360°	360°
Lens Material	Polycarbonate	Polycarbonate	Polycarbonate
Housing Material	Polycarbonate	Polycarbonate	Polycarbonate
Connection	5000mm Cable	5000mm Cable	5000mm Cable
Warranty	2 years	2 years	2 years
Fixture Type	Bracket	Bracket	Bracket
Weight	10.57 kg	11.52 kg	12.47 kg
Package Size	Inner box:2260*266*55mm	Inner box:2450*266*55mm	Inner box:2650*266*55mm
PCS/CTN	1	1	1

Product Size





IP67



10-30V



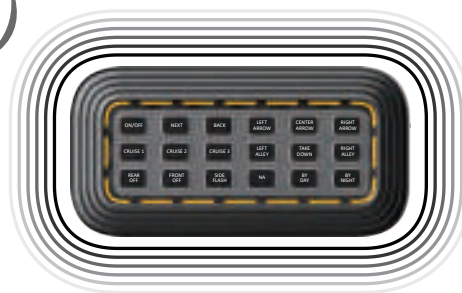
ECE R10(EMC)/ECE R65 Class 2/CISPR25 Class 3/SAE J845 Class 1/CE/RoHS



Amber/Red/Blue/White/Mixed colors, etc.



-40°C ~ + 65°C



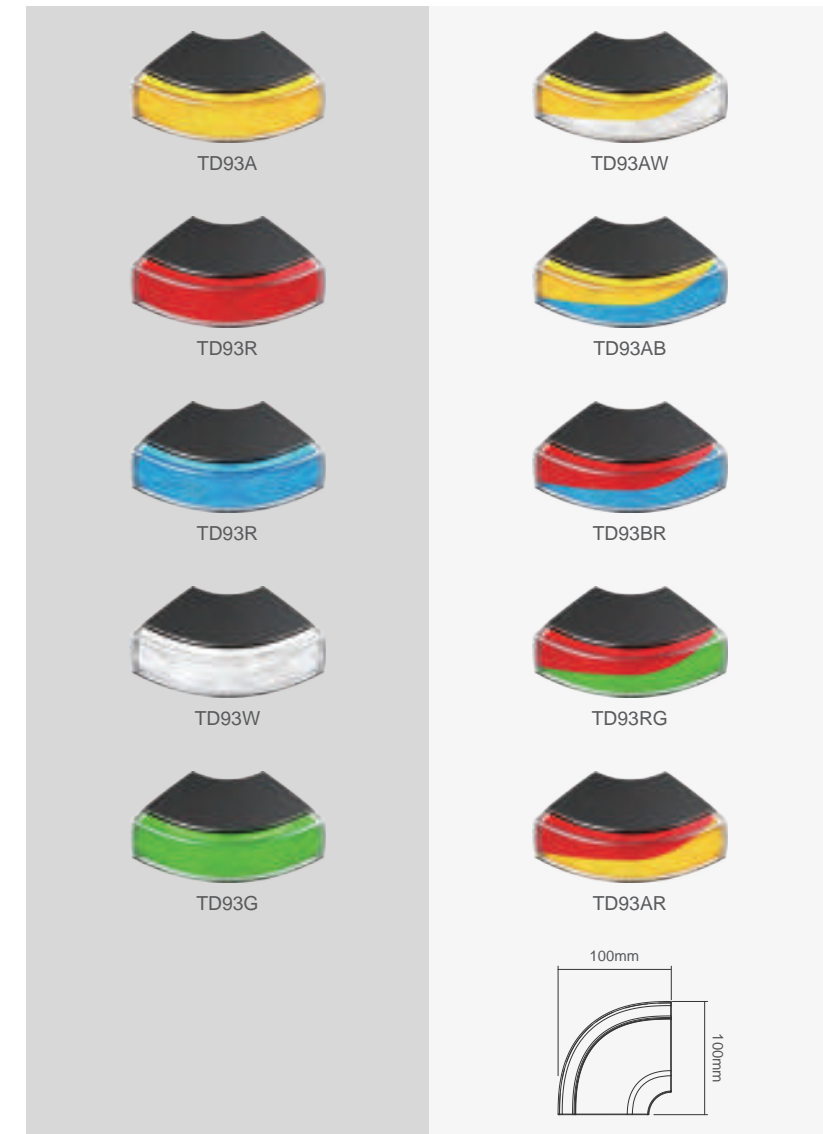
FEATURES

- Innovative standard modular design, can achieve different widths: 200mm ~1100mm, and different lengths: 200mm~2500mm
- Each lightbar can be programmed/reprogrammed
- ECE R65 Class 2(red/amber/blue) for single flash/double flash/triple flash , SAE Class 1(red/amber/blue/white)
- Wide-angle optics, 360-degree visibility, single color or dual color combination are available
- Anti-interference: CISPR 25class 3
- 21 standard flash patterns, including ICAO airport flash (flash patterns can be customized)
- Synchronization/Asynchronization with other Smartsun products
- Built-in light sensor enables the lightbar automatically dim(switching from 'by day' to 'by night')
- Standard 12-pin 5m single wires, max current load 20A, and quick switching functions can be defined
- P902 remote is optional for wireless control
- Stainless steel bracket and strap hook
- IP67 dust and water-resistant
- 3-year warranty

TD93

Single Color Module

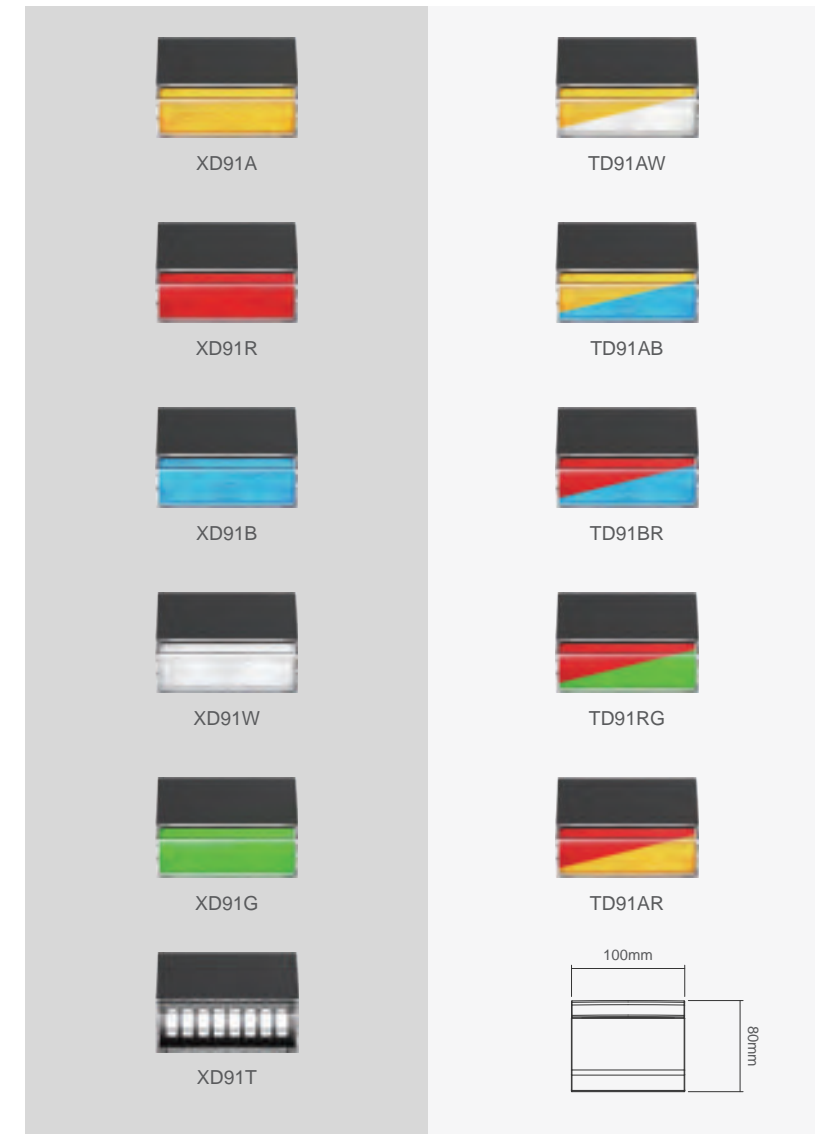
Mixed Dual Color Module



XD91

Single Color Module

Mixed Dual Color Module



XD92

Single Color Module

Dual Color(1/2+1/2) Module

Mixed Dual Color Module



Other Accessories



W90 0 2 - A - T A - ***

Width

0 = 200mm
 1 = 300mm
 2 = 400mm
 3 = 500mm
 4 = 600mm
 5 = 700mm
 6 = 800mm
 7 = 900mm
 8 = 1000mm
 9 = 1200mm
 A = 1300mm
 B = 1400mm
 C = 1500mm

Length

2 = 200mm
 3 = 300mm
 4 = 400mm
 5 = 500mm
 6 = 600mm
 7 = 700mm
 8 = 800mm
 9 = 900mm
 A = 1000mm
 B = 1200mm
 C = 1300mm
 D = 1400mm

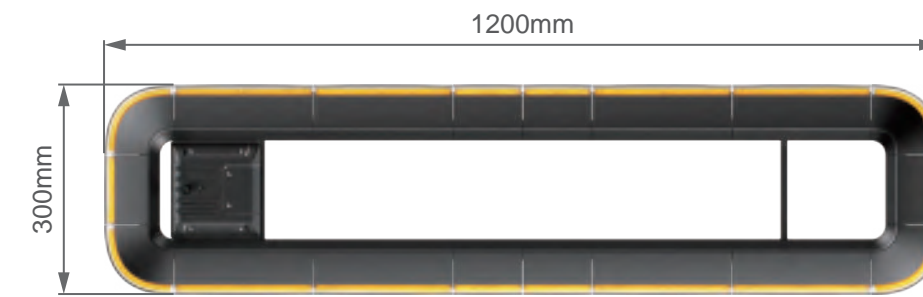
E = 1500mm
 F = 1600mm
 G = 1700mm
 H = 1800mm
 J = 1900mm
 K = 2000mm
 L = 2100mm
 M = 2200mm
 N = 2300mm
 P = 2400mm
 Q = 2500mm

FLASH LED COLORS

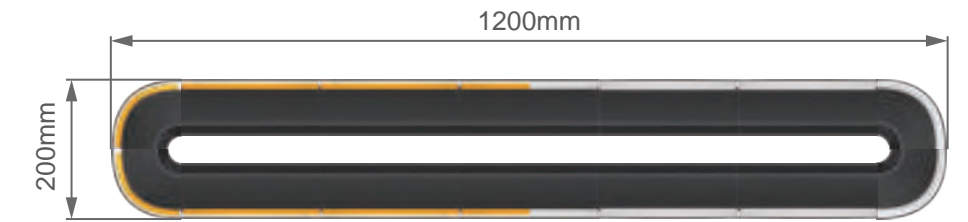
Single Color:
 A = **AMBER**
 R = **RED**
 B = **BLUE**
 G = **GREEN**
 W = **WHITE**
 Dual Color(1/2+1/2):
 A/W=1/2 **Amber**+1/2 **White**
 R/B=1/2 **Red**+1/2 **Blue**
 Mixed Dual Color:
 AB=**Amber&Blue** Mixed

OTHER OPTIONS

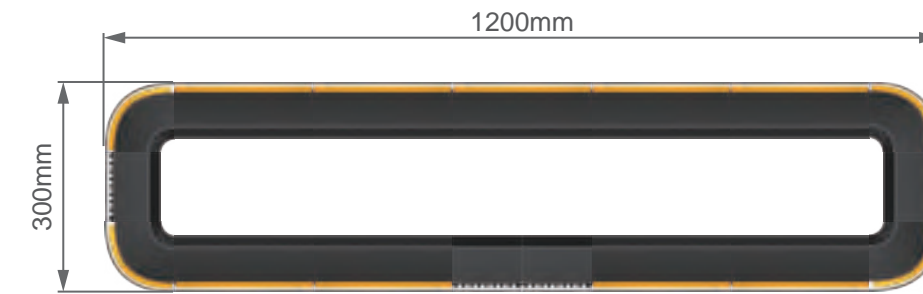
T = **TAKEDOWN**
 A = **ALLEY**
 B = **BACK UP**
 S = **STOP/TAIL/INDICATOR**
 W = **WORKLAMP**



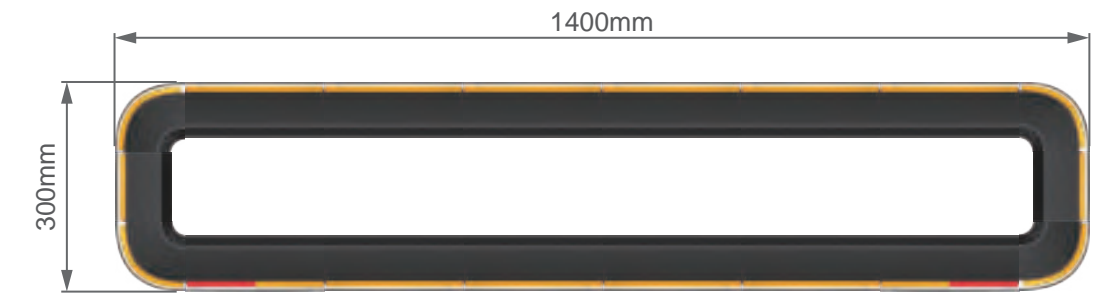
W901C-A



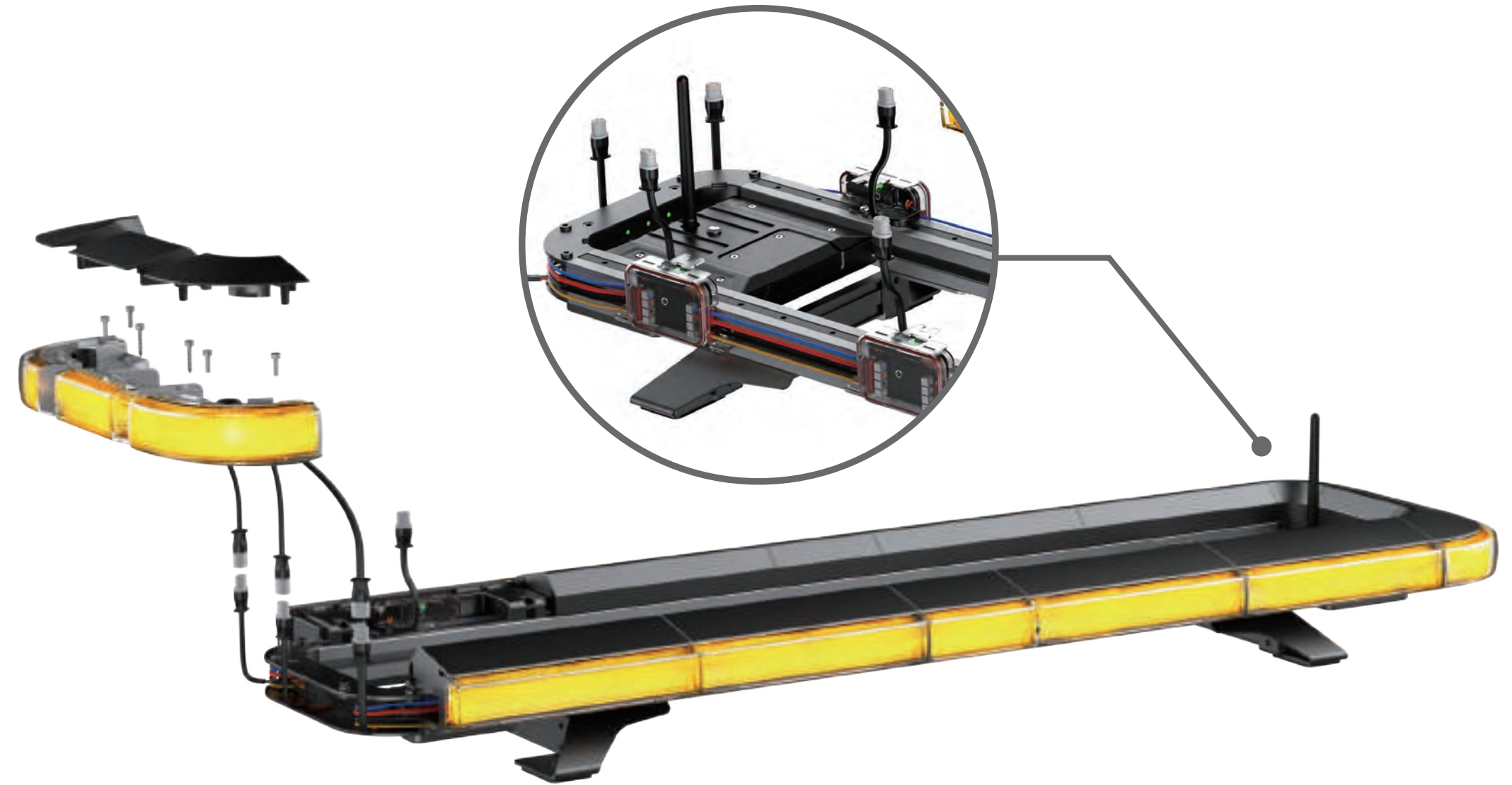
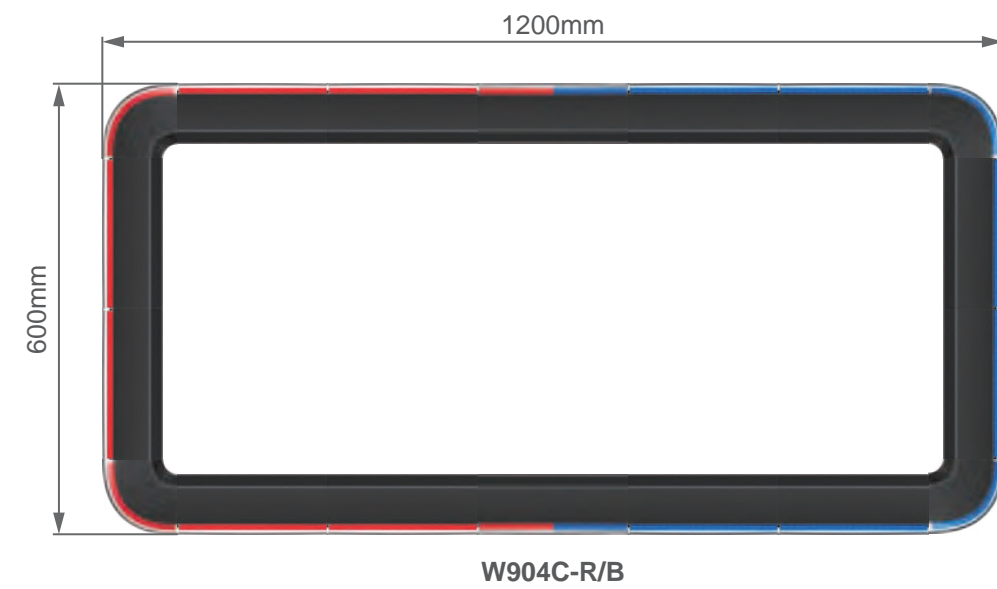
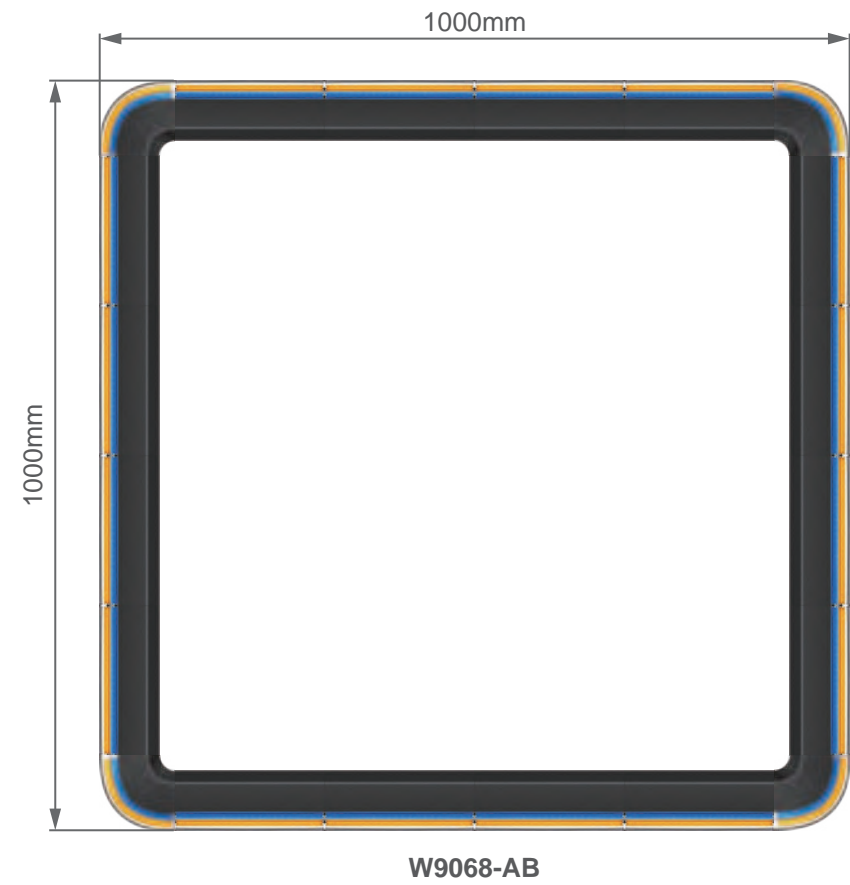
W900C-A/W



W901C-A-TA

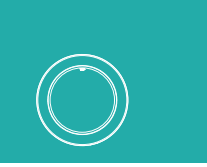







W901D-A-S





SIGNAL LAMP | SB21 Series



-  IP67
-  10-30V
-  ECE R10 16936
ECE R3 / R6 / R7 / R23 / R38 23258
-  Tracking Indicator/Diffused Tail
-  -40°C ~ + 65°C



SB2110



SB2120



SB2130



SB2150










SB2160



SB2170

 TECHNICAL SPECS OVERLEAF

FEATURES

-  Innovative signal lamps with functions: tail, stop, direction indicator, rear fog, reverse, reflex
-  Fully encapsulated for moisture, vibration and corrosion resistance
-  Corrosion-resistant polycarbonate base and lens
-  Simple installation with universal mount
-  Bolt mounting and chrome ring mounting are available
-  Tail light available in diffused effect
-  2-year warranty



SB2110-Signal / SB2111-Signal

SB2120-Signal / SB2121-Signal

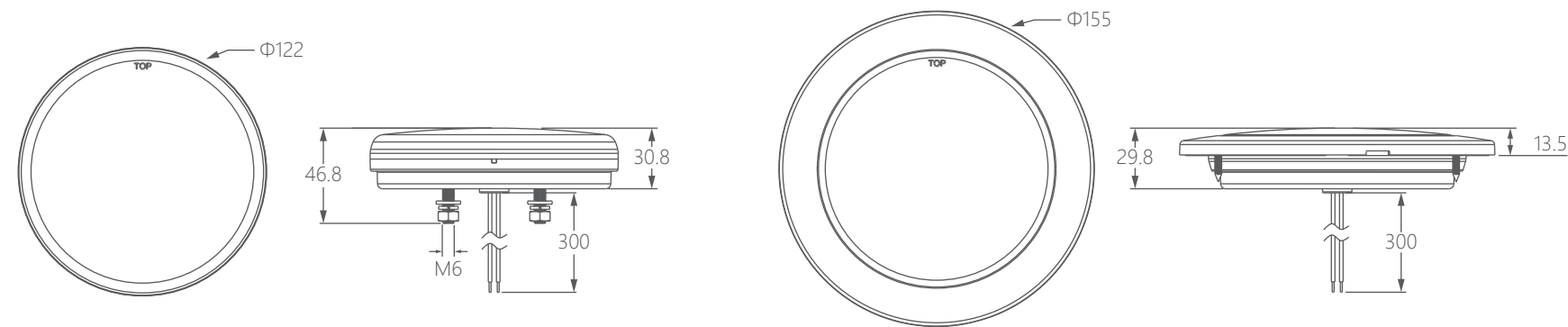
SB2130-Signal / SB2131-Signal

Picture



Description	Rear Combination Signal Lamp	Rear Combination Signal Lamp	Rear Combination Signal Lamp
Part No.	FS03001/FS03002	FS03007/FS03008	FS03005/FS03006
Input Voltage	10~30V DC	10~30V DC	10~30V DC
Power	2.5W/2W/2W	2.5W/2W/—	2.5W/3W/2W
Function	Diffused tail/stop/tracking indicator	Diffused Tail/Tracking indicator/Reflex	Diffused tail/Rear fog/Reverse
Approvals	ECE R10/R6/R7	ECE R10/R7/R6/R3	ECE R10/R7/R23/R38
IP Rating	IP67	IP67	IP67
Operating Temp.	-40°C~ + 65°C	-40°C~ + 65°C	-40°C~ + 65°C
Lens Material	Polycarbonate	Polycarbonate	Polycarbonate
Housing Material	Polycarbonate	Polycarbonate	Polycarbonate
Connection	300mm Wire	300mm Wire	300mm Wire
Warranty	2 years	2 years	2 years
Fixture Type	Two bolt/Chrome ring with three screw	Two bolt/Chrome ring with three screw	Two bolt/Chrome ring with three screw
Weight	-- kg / 0.3 kg	-- kg / 0.3 kg	-- kg / 0.3 kg
Package Size	Inner box:160x160x55mm/Carton:500x350x340mm	Inner box:160x160x55mm/Carton:500x350x340mm	Inner box:160x160x55mm/Carton:500x350x340mm
PCS/CTN	36	36	36

Product Size



SB2150-Signal / SB2151-Signal

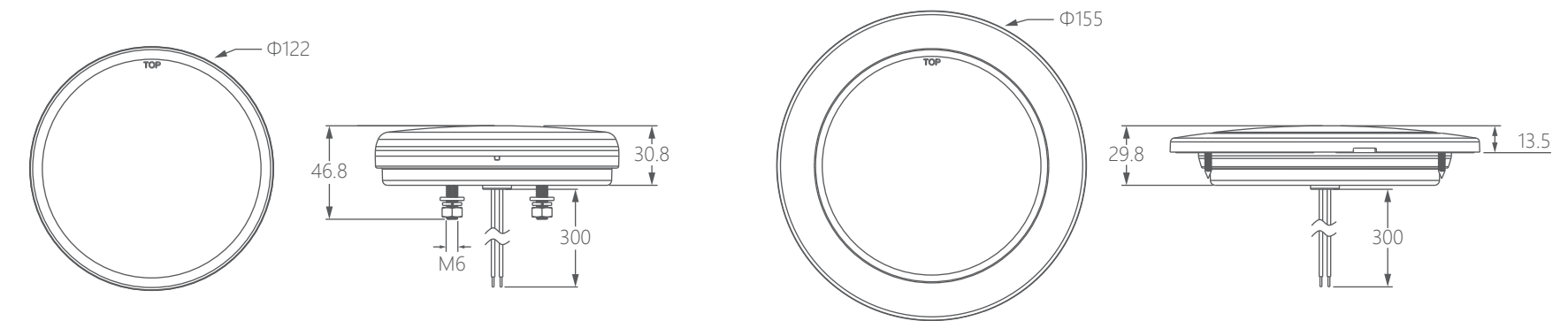
SB2160-Signal / SB2161-Signal

Picture

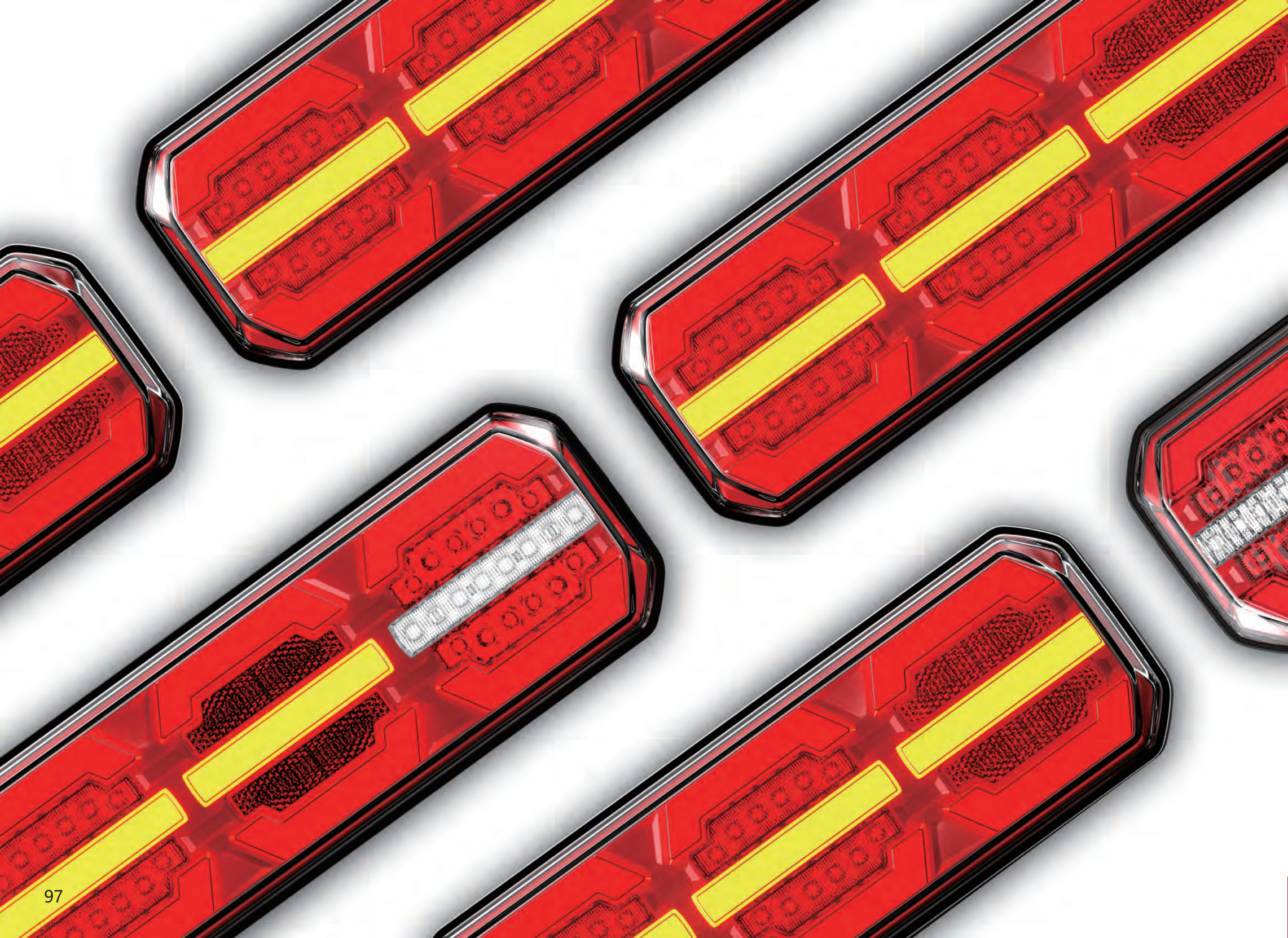







Description	Rear Combination Signal Lamp	Rear Combination Signal Lamp
Part No.	FS03009/FS03010	FS03011/FS03012
Input Voltage	10~30V DC	10~30V DC
Power	2.5W/2W/—	2.5W/2W/—
Function	Diffused Tail/Reverse/Reflex	Diffused Tail/Stop/Reflex
Approvals	ECE R10/R3/R7/R23	ECE R10/R3/R7
IP Rating	IP67	IP67
Operating Temp.	-40°C~ + 65°C	-40°C~ + 65°C
Lens Material	Polycarbonate	Polycarbonate
Housing Material	Polycarbonate	Polycarbonate
Connection	300mm Wire	300mm Wire
Warranty	2 years	2 years
Fixture Type	Two bolt/Chrome ring with three screw	Two bolt/Chrome ring with three screw
Weight	-- kg / 0.3 kg	-- kg / 0.3 kg
Package Size	Inner box:160x160x55mm/Carton:500x350x340mm	Inner box:160x160x55mm/Carton:500x350x340mm
PCS/CTN	36	36

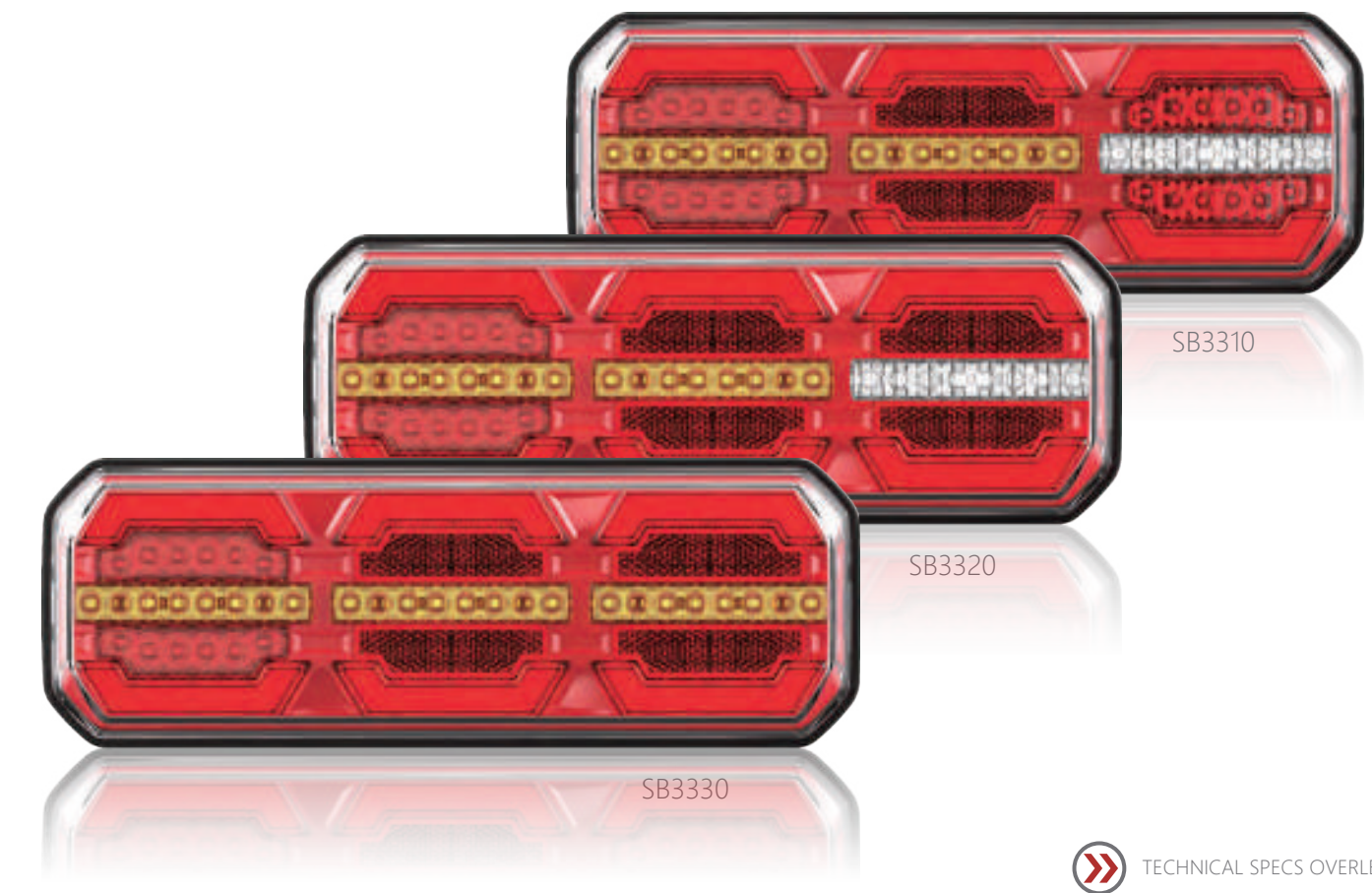
Product Size



SIGNAL LAMP | SB33 Series









-  IP67
-  10-30V
-  ECE R10 16909
ECE R3/R6/R7/R23/R38 23209
-  Tracking Indicator/Diffused Tail
-  -40°C ~ + 65°C



 TECHNICAL SPECS OVERLEAF

FEATURES

-  Innovative rear combination lamps with multi-functions
-  Corrosion-resistant polycarbonate base and lens
-  Long-lasting LEDs for extended use
-  Simple installation with bolt mounting
-  Diffused tail with neon effect and tracking indicator
-  2-year warranty



SB3310-Signal

SB3320-Signal

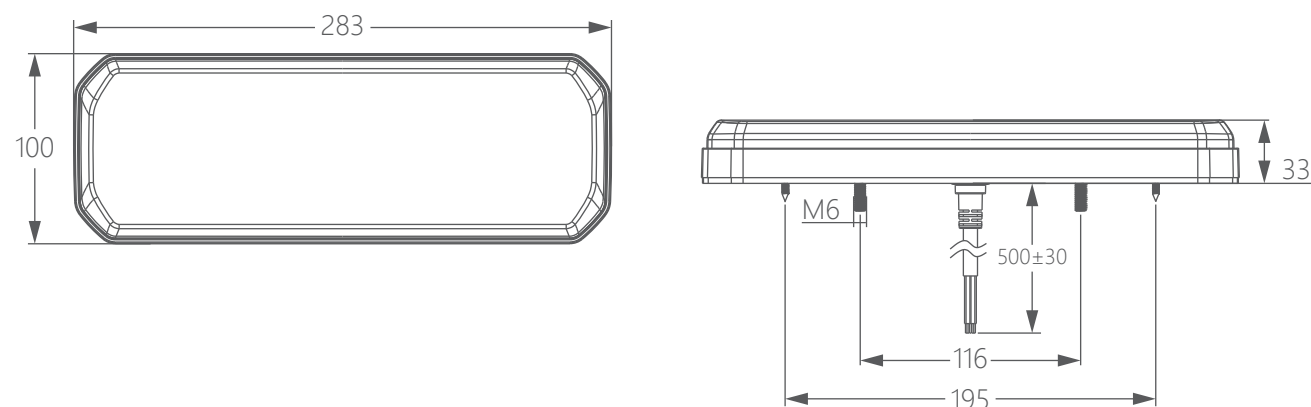
SB3330-Signal

Picture



Description	Rear Combination Signal Lamp	Rear Combination Signal Lamp	Rear Combination Signal Lamp
Part No.	FS04001	FS04002	FS04003
Input Voltage	10~30V DC	10~30V DC	10~30V DC
Power	2W/2W/2W/2.3W/3.7W/—	2W/2W/2W/2.3W/—	2W/2W/2.5W/—
LED Qty.	Diffused tail/Stop/Tracking Indicator/Reverse/Rear Fog/Reflex	Diffused tail/Stop/Tracking Indicator/Reverse/Reflex	Diffused tail/Stop/Tracking Indicator/Reflex
Approvals	ECE R10/R3/R6/R7/R23/R38	ECE R10/R3/R6/R7/R23	ECE R10/R3/R6/R7
IP Rating	IP67	IP67	IP67
Operating Temp.	-40°C~ + 65°C	-40°C~ + 65°C	-40°C~ + 65°C
Lens Material	Polycarbonate	Polycarbonate	Polycarbonate
Housing Material	Polycarbonate	Polycarbonate	Polycarbonate
Connection	500mm Cable	500mm Cable	500mm Cable
Warranty	2 years	2 years	2 years
Fixture Type	Two bolt fixing/Four screw fixing	Two bolt fixing/Four screw fixing	Two bolt fixing/Four screw fixing
Weight	0.7 kg	0.7 kg	0.7 kg
Package Size	Inner box:300x110x70mm/Carton:400x350x330mm	Inner box:300x110x70mm/Carton:400x350x330mm	Inner box:300x110x70mm/Carton:400x350x330mm
PCS/CTN	15	15	15

Product Size



SIGNAL LAMP | SD15 Series



IP67



10-30V

ECE R10 16909
ECE R3/R6/R7/R23/R38 23209Tail / Stop / Direction indicator / Reverse / Rear fog
/ License plate light

-40°C~ + 65°C

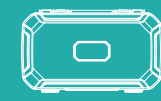


TECHNICAL SPECS OVERLEAF

FEATURES

- Innovative rear combination lamps with multi-functions
- Corrosion-resistant polycarbonate base and lens
- Long-lasting LEDs for extended use
- Simple installation with bolt mounting
- Diffused tail with neon effect and tracking indicator
- 2-year warranty





SIGNAL LAMP | SD15-KIT

SD1510

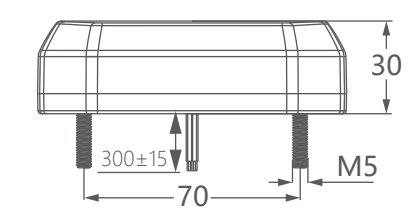
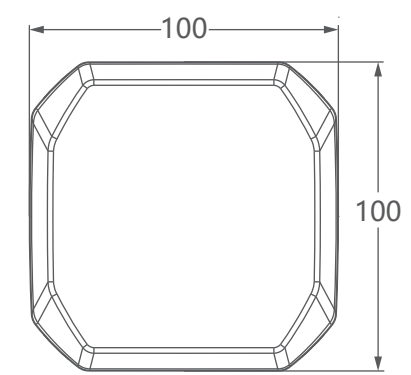
SD1520



Picture

Description	Rear Combination Signal Lamp	Rear Combination Signal Lamp
Part No.	FS04039	FS04040
Input Voltage	10~30V DC	10~30V DC
Power	2.5W/2W/2W/1W	2.5W/3W/2W/1W
Function	Tail / Stop / Direction indicator / License plate light	Diffused tail / Rear fog / Reverse / License plate light
Approvals	ECE R10/R6/R7/R4	ECE R10/R7/R23/R38/R4
IP Rating	IP67	IP67
Operating Temp.	-40°C~ + 65°C	-40°C~ + 65°C
Lens Material	Polycarbonate	Polycarbonate
Housing Material	Polycarbonate	Polycarbonate
Connection	300mm Wires	300mm Wires
Warranty	2 years	2 years
Fixture Type	Two bolts	Two bolts
Weight	0.19 kg	0.19 kg
Package Size	Inner box:116*116*72mm/Carton:360*240*300mm	Inner box:116*116*72mm/Carton:360*240*300mm
PCS/CTN	24	24

Product Size



IP67



3000Mah Rechargeable Lithium Battery



ECE R6/R7



Tail / Stop / Directional Indicator / Number plate lamp



-40°C~ + 65°C



TECHNICAL SPECS OVERLEAF

FEATURES

- Complete kit with LED lights WIRELESS
- Left Light+ Right Light+ Transmitter+Charging cable with cigar plug
- PC housing material
- Powerful magnetic mount
- IP67 rated, fully sealed and waterproof
- Durable plastic box packing
- 2-year warranty





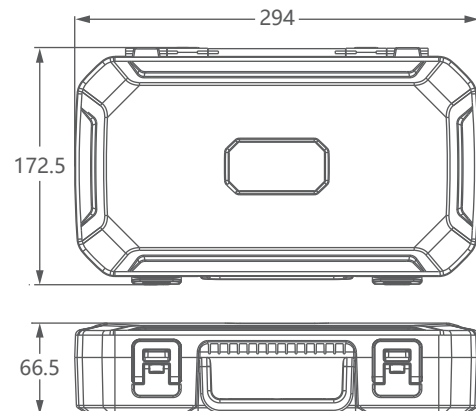
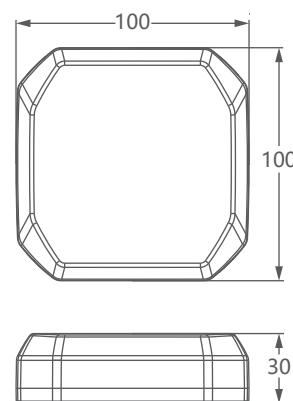
SD1510-KIT

Picture



Description	Rear Combination Signal Lamp
Part No.	FS04004
Input Voltage	10~30V DC
Power	1.8W/1.8W/6.8W/8.3W/2W/—
Function	Tail / Stop / Directional Indicator / Number plate lamp
Approvals	ECE R10/R3/R6/R7/R23/R38
IP Rating	IP67
Operating Temp.	-40°C~ + 65°C
Lens Material	Polycarbonate
Housing Material	Polycarbonate
Connection	N/A
Warranty	2 years
Fixture Type	Magnet
Weight	0.78 kg
Package Size	Inner box:330*145*85mm/Carton:380*310*190mm
PCS/CTN	5

Product Size



SIGNAL LAMP | SB52/SB53 Series

- IP67
- 10-30V
- ECE R10 16944 / 16944
ECE R3/R6/R7/R23/R38 23259 / 23261
- Tracking Indicator/Diffused Tail
- 40°C~ + 65°C



TECHNICAL SPECS OVERLEAF

FEATURES

- Innovative combination signal lamps with functions: tail, stop, direction indicator, rear fog, reverse, reflex
- Fully encapsulated for moisture, vibration and corrosion resistance
- Corrosion-resistant polycarbonate base and lens
- Simple installation with universal bolt mount
- Tail, directional indicator and reverse are all designed to be diffuse
- 2-year warranty



SB5210-Signal

SB5310L-Signal

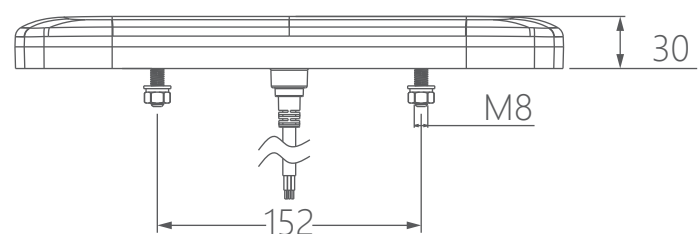
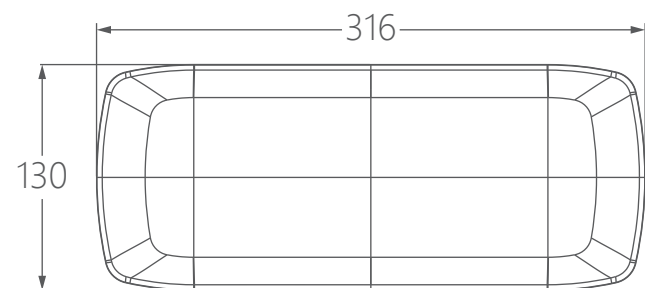
SB5310R-Signal

Picture



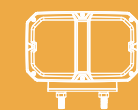
Description	Rear Combination Signal Lamp	Rear Combination Signal Lamp	Rear Combination Signal Lamp
Part No.	FS04004	FS04005	FS04019
Input Voltage	10~30V DC	10~30V DC	10~30V DC
Power	1.8W/1.8W/6.8W/8.3W/2W/—	1.8W/1.8W/6.8W/8.3W/2W/—	1.8W/1.8W/6.8W/8.3W/2W/—
Function	Diffused tail/Stop/Tracking Indicator/Reverse/Rear Fog/Reflex	Diffused tail/Stop/Tracking Indicator/Reverse/Rear Fog/Reflex	Diffused tail/Stop/Tracking Indicator/Reverse/Rear Fog/Reflex
Approvals	ECE R10/R3/R6/R7/R23/R38	ECE R10/R3/R6/R7/R23/R38	ECE R10/R3/R6/R7/R23/R38
IP Rating	IP67	IP67	IP67
Operating Temp.	-40°C~ + 65°C	-40°C~ + 65°C	-40°C~ + 65°C
Lens Material	Polycarbonate	Polycarbonate	Polycarbonate
Housing Material	Polycarbonate	Polycarbonate	Polycarbonate
Connection	500mm Cable	500mm Cable	500mm Cable
Warranty	2 years	2 years	2 years
Fixture Type	Two bolt fixing	Two bolt fixing	Two bolt fixing
Weight	0.78 kg	0.78 kg	0.78 kg
Package Size	Inner box:330*145*85mm/Cartron:510*310*350mm	Inner box:330*145*85mm/Cartron:510*310*350mm	Inner box:330*145*85mm/Cartron:510*310*350mm
PCS/CTN	12	12	12

Product Size



LED HEADLAMP

HB56 Series



PATENT NO. : 201921927957.5 / ZL 2019 2 1502344.7



IP67



10-30V



ECE R10 / R112 / FMVSS 108/ CE / ROHS



Automatic snow melting function



-40°C~ + 65°C



Deutsch Connector(DT04-6P)



Adjustable 90 Degree Angle



TECHNICAL SPECS OVERLEAF

FEATURES

- Built-in turn signals and day time running lights provide added safety when vehicles are on the road
- Automatic heated lens keep the lamp snow- and ice-free
- Fully ECE approved with R112 reference number 50(HB5630)
- Can be universally mounted on both the left and right sides of the vehicle
- Sturdy AL die-casting housing with a strong swiveling bracket(adjustable 90 degree angle)
- Two bolts with adjustable CC distance 68~88mm provide flexibility for placement on a wide range of vehicles
- 2-year warranty





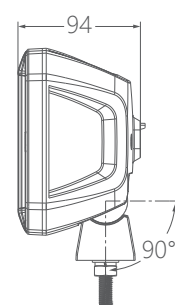
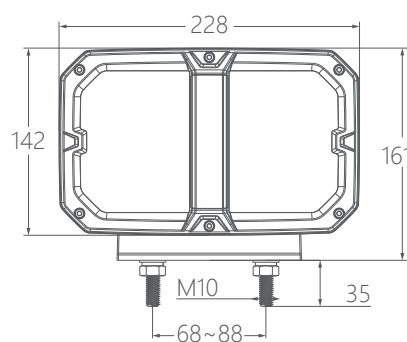
HB5621

HB5631

Picture



Description	Snow Plow Headlamp	Snow Plow Driving Lamp
Part No.	FH02003	FH03002
Input Voltage	10~30V DC	10~30V DC
Power	28W/23W/6W/1W/8W/8W/55W	40W/6W/1W/8W/8W/55W
Function	Hi-beam/Low beam/DRL/Front position/DI/Strobe/Heating glass	Hi-beam/DRL/Front position/DI/Strobe/Heating glass
LED Qty.	2x20Watt+2x12Watt+20x1Watt	4x20watt+20x1watt
Approvals	ECE R10/FMVSS 108(UB2, LB2V, DRL, PL, DI with Light Sectn 3)	ECE R10/R112/R6/R7/R87
IP Rating	IP67	IP67
Operating Temp.	-40 C ~ + 65 C	-40 C ~ + 65 C
Lens Material	polycarbonate/glass	polycarbonate/glass
Housing Material	aluminium	aluminium
Connection	DT04-6P Connector	DT04-6P Connector
Warranty	2 years	2 years
Fixture Type	two bolt fixing	two bolt fixing
Weight	2.46 kg	2.46 kg
Package Size	Inner box: 470x280x120mm / Outer box: 470x280x120mm	Inner box: 470x280x120mm / Outer box: 470x280x120mm
PCS/CTN	2	2



Product Size

SPARE PARTS

 PA97	 TD11	 TC72	 PC31
 P906	 PB32	 PB34	 PB35
 PB37	 PB91	 PB33-66	 PB43-88
 TC83-TEXT DISPLAY LIGHTBAR	 P902		